



BOSCH
Invented for life



Kitchen Experience and Design Guide

Volume 5

Contents

6	Invented for Your Life
8	Designing with Bosch – Benchmark® Series Kitchen
10	Designing with Bosch – 800 Series Kitchen
12	Healthy Living
14	Small Space Living
16	Home Connect™
18	Design Philosophy
20	Cooktops
46	Built-in Wall Ovens
70	Wall Oven Design Combinations
80	Microwaves & Drawers
102	Built-in Coffee Machine
106	Ranges
124	Ventilation
150	Dishwashers
172	Refrigeration
202	24" Compact Laundry
209	Warranty
210	Experience Bosch®
211	Customer Service





> A holistic kitchen design considers appliances as an intrinsic part of the design process.



In today's frenetic world, Bosch lends peaceful ease to the kitchen.

More than ever, we understand design's impact not simply on style, but on well-being. Bosch appliances facilitate calm and control in the kitchen and pair, aesthetically and philosophically, with the vision of relaxed modern living. Fading from consumers' mindset are the complexities and embellishments of overly traditional kitchens. Today's modern is inviting. Easy. Peaceful. Clean and uncluttered. And Bosch home appliances fit naturally within these desired spaces.

For over a hundred years, Bosch has embraced the harmony of form and function, striving to beautifully simplify everyday life in the kitchen. After all, the kitchen is where we gather, and exhale. As lives become increasingly busy and complex, Bosch kitchens are designed to give back a little of what the day takes away. That's something everyone can appreciate. That's well-being, by design.

Invented for your life.

In the face of life's daily chaos, Bosch brings ease and peace of mind into the kitchen. Because like you, we value what makes the everyday a little easier. Rather than aspire to more, we aspire to the credo that less is more. Guided by the harmony of form and function, Bosch home appliances lend purpose and beauty into the heart of the home. Nourishing the soul like a simple meal. And helping you live more thoughtfully, simply and healthfully. Invented for no other purpose, but for the life we live.

Perceivable quality

Thoughtful design runs through every detail of every Bosch appliance. From the quiet of our dishwashers to the feel of our oven handles, it's the kind of quality that's both lasting and noticeable.



Surprisingly simple solutions

Bosch appliances are designed to be peacefully uncomplicated, bringing efficiency and joyful ease to daily tasks. Whether helping you tackle dinner faster or load the dishes easier, Bosch appliances are a day's friend not foe.

Perfect results

Thoughtful engineering and purposeful design are at the heart of every Bosch appliance, delivering perfect, effortless results—every time. From perfectly steamed veggies to perfectly clean dishes, Bosch appliances keep their promise, and that's one less thing to have to think about.



Timeless design

Authentic. Modern. Streamlined. Every Bosch appliance displays the beauty of function. That's why our designs are always timeless, never trendy.

Hollywood Modern.

Architect Dan Brunn re-imagines a Los Angeles kitchen using Bosch Benchmark® appliances.



▲ Dan Brunn, Architect

Bosch's heritage of clean, efficient design lends itself to the modern home, which calls on simple and elegant functionality to balance busy, and often chaotic, lifestyles. From his vantage point, Dan Brunn sees how kitchen design and its appliances are becoming more streamlined to provide comfort and efficiency in the home. Unobtrusive and intuitive to use, Bosch appliances aid in what Brunn calls a "re-domesticating of the kitchen," in that "the kitchen is part of the family space, and is integral in terms of its furniture."

Showcasing timeless design, Bosch appliances pare away unnecessary frills and embellishments, marrying form and function. "It's not about fashion. It's about longevity and timelessness," says Brunn. "There are no extra knobs where there shouldn't be knobs. It's a very clean palette and a very purposeful design."



> An understated black and white palette is paired with Bosch appliances for a streamlined look.

▼ **The Bosch downdraft vent** is one of Brunn's favorite appliances. It can be hidden away when you don't use it.



► **The Bosch refrigerator, freezer and dishwasher** are integrated into the cabinetry. "They're hidden to create the furniture aesthetic," says Brunn, which allows the kitchen to flow into the rest of the home.



Photography by Brandon Shigeta
Adapted from text by Jenny Xie for Dwell.com

► **A Bosch 36" Gas Cooktop and a 36" Downdraft Ventilation system** are integrated into the counter, allowing the space to feel open and unobstructed by a stove hood. Shelves hide a secret compartment where the homeowner can slide in a cutting board for easy storage.



Warm minimalism.

A young couple's converted row house kitchen marries modern functionality with historic character.

Philadelphia Designer Chris Greenawalt says his clients wanted “a space that they could grow into; something modern, but that wasn't too cold.” Greenawalt created a unified, functional space with a Bosch 800 Series kitchen as its centerpiece. Relocating the kitchen along an exposed brick wall, the entire space was gutted, allowing light to flood the entire length of the house. Clean, modern lines were extended using stark white cabinets and streamlined Bosch appliances, including a recessed 30" induction cooktop. Says the homeowners, “One of the biggest decisions we made was to go with the induction cooktop. It cooks evenly, you can pinpoint the temperature, even boil water in under 60 seconds. Plus it's easy to clean.”

Greenawalt notes that Bosch “hit all of the marks while remaining at a mid-tier price point.” Having worked for a modern housing developer early in his career, Greenawalt added, “We chose Bosch appliances because buyers trusted its reputation, the look aligned with our aesthetic, and we knew we wouldn't get calls about broken appliances. Today, I'm working directly with clients and still recommend Bosch.”

➤ **The Bosch downdraft ventilation system** completely retracts when not in use.





▼ A detail of the Bosch 800 Series Oven



► A detail of the Bosch 800 Series Dishwasher, tucked discretely under the counter. Say the homeowners, "We chose Bosch appliances because we like the aesthetic, quality, reputation, and price point. After extensive research, it met all the criteria."

Photography by Joyelle West



Cook well. Live well. Be well.



Healthy living isn't simply a trend, it's a cultural lifestyle shift that's here to stay. As consumers embrace healthier eating habits, they're seeking ways to create kitchens more conducive to mindful living. Whether roasting farm fresh veggies to perfection with our built-in steam convection oven, or keeping foods fresh and nutritiously optimal with our precise humidity-controlled refrigerators, Bosch appliances make it easier to foster healthier habits in the kitchen.



▼ **Danny Seo**, Healthy Living Expert and Bosch Brand Ambassador



► "Cooking with steam is the answer to quick flavorful and healthier food."



Kitchens designed to nourish body and mind.

Raising the standards in quietness, efficiency and design, Bosch appliances help facilitate ease in the kitchen. Thoughtfully engineered features like QuietClose® doors never slam shut. SideOpening wall ovens lend ergonomic ease, alleviating the strain of removing heavy dishes. Legendary quiet dishwashers bring peace to the kitchen. Ventilation systems reassuringly remove fumes from the air. And a clean, purposeful aesthetic leaves nothing to distract the eye or clutter the mind.

Small space living. The big new movement.

Small space living is no longer seen as a sacrifice or compromise. More and more, people are choosing smaller scale living out of desire, rather than need. Designing for small spaces, especially kitchens, lends itself to embracing the beauty of simplicity and efficiency. Clean, uncluttered lines. Easy aesthetics. And smaller-scaled appliances designed in correct proportions, creating balance and harmony within the surrounding space. Bosch's suite of 18" and 24" appliances are specifically designed to fit downscaled living, without sacrificing upscale tastes. Premium in every way, Bosch small scale appliances feature the quality and performance you'd expect in full-size appliances.

► **When it comes to small spaces,** less is more. Timeless design is the secret to creating smaller habitats that don't sacrifice quality or style.



▲ **Provide streamlined beauty and efficiency** to any project with Bosch small space appliances.





▲ From our 24" wall ovens which offer up to 10 cooking modes and genuine European convection, to our 18" dishwashers with room to fit 10 full place settings, to our 24" glass door refrigerator, Bosch's small space appliances provide efficient solutions that can elevate any kitchen or laundry space, regardless of size.



Bosch small space kitchen appliances.



24" Cooktops



24" Pull-Out Visor Hoods



24" Wall Ovens



18" Dishwashers



24" Speed Ovens



24" Refrigerators

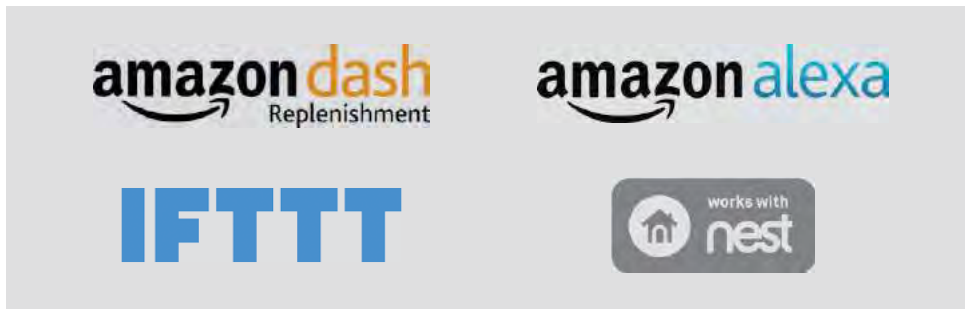


24" Compact Laundry

Welcome to the connected home.

Bosch is satisfying the ever-growing desire for a smart, connected home, with a collection of connected appliances that bring the design, innovation and efficiency you'd expect from Bosch. Home Connect™ is the intelligent platform that allows a variety of Bosch home appliances to be remotely monitored and controlled with a single app, for a new level of convenience and efficiency. From starting the dishwasher or laundry at work, to keeping an eye on dinner in the oven, to brewing a frothy latte, the Home Connect™ app allows you to be in effortless control from your smartphone or tablet. Most importantly, freeing you up to stay connected to other things that matter.

Home Connect™ partners:





Bosch design philosophy

These are the principles that guide every Bosch product .

1 Form + Function

Bosch design is equally purposeful and beautiful, creating a lasting and rewarding user experience.

2 Symmetry

Balanced, symmetrical lines offer a timeless look that's pleasing to the eye and offers a distinctive family appearance.

3 Proportions

The harmonious arrangement of varying elements result in a sophisticated, well-balanced design.

4 Materials

The use of premium materials makes our appliances visually arresting and offers a tactile sense of quality that you can feel.

5 Illumination

Subtle, purposeful illumination enhances usability while creating an emotional connection.



For over 100 years, Bosch appliances have embraced a tradition of timeless design that's both purposeful and beautiful. We see the beauty in simple, streamlined aesthetics that result from how our products are actually used.



6 Color Palette

From classic black and white, to metallic tones and red/white accent lighting, our affinity for neutral colors help seamlessly blend our appliances into a range of kitchens.

7 Alignment

Flush, well defined surface contours, unified design elements and tight panel gaps indicate an elevated level of engineering precision.

8 Subtlety

Subtle, thoughtful details delight the user in unexpected ways and improve the overall experience of our appliances.

9 Integration

From kitchen designs ranging from modern to transitional, Bosch appliances naturally integrate with any style.

10 Longevity

With enduring, timeless design and lasting quality, every Bosch appliance beautifully withstands the test of time.



Cooktops

Bosch cooktops are designed to deliver perfect results with minimal effort. Whether you chose induction, gas or electric, every Bosch cooktop combines simplicity with intuitive usability. So recipes are followed more efficiently, meals are made quickly, and cleanup happens easily. Because at the end of a long day, Bosch believes cooking should bring joy, not frustration.

“Highest in
Customer Satisfaction
with Cooktops”*
two years in a row.



*Bosch received the highest numerical score among 7 Cooktop brands in the J.D. Power 2015–2016 Kitchen Appliance Satisfaction Studies. 2016 study based on 15,904 total responses, measuring customer opinions about their new appliance purchased in the previous 12 months, surveyed January–March 2016. Your experiences may vary. Visit jdpower.com.



Benchmark® Cooktops

Our Benchmark® cooktops offer three powerful and versatile ways to cook—induction, electric or gas.

Induction



FlexInduction®

FlexInduction® allows you to combine two cooking zones into one to accommodate large pans or griddles perfectly. Or, use the cooking zones individually. Either way, enjoy even cooking—no matter the size of your pan.



PowerMove™

Let's you divide your FlexInduction® cooktop into three conveniently preset power level zones. Simply slide cookware across the cooktop into a different zone to adjust the temperature. It's great for recipes with various stages of cooking required.

Electric



Flexible cooking options

With 5 burners, including an 11" 3,080-watt triple-ring heating element, our 36" Benchmark® electric cooktop provides the ultimate flexibility when cooking.



AutoChef®

Never burn another meal again. AutoChef® applies the perfect amount of heat, without having to fidget with temperature settings. From making pancakes to searing steak, it takes the guesswork out of cooking.

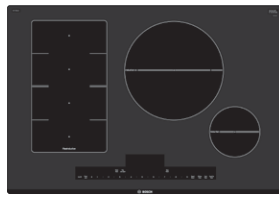
Gas



Dual-stacked burner

Our Benchmark® gas cooktop features a powerful 20,000 BTU center, dual-stacked burner that delivers faster boiling and low simmering for greater cooking flexibility.

Benchmark® Induction Cooktops



30" Benchmark®
NITP068UC (Frameless)
NITP068SUC (Frame)

- FlexInduction® Element
- 11" Cooking Zone
- PowerMove™
- SpeedBoost®



36" Benchmark®
NITP668UC (Frameless)
NITP668SUC (Frame)

- FlexInduction® Element
- +12" Dual-Ring Center Cooking Zone
- PowerMove™
- SpeedBoost®



+ Indicates a step-up feature

	30"	36"
	Black – NITP068UC Black with Stainless Steel Frame – NITP068SUC	Black – NITP668UC Black with Stainless Steel Frame – NITP668SUC
Element Performance		
Power of full zone left & right heating element (in boost)	N/A	3,300 W (3,600 W)
Power of full zone left heating element (in boost)	3,300 W (3,600 W)	N/A
Power of front left heating element (in boost)	2,200 W (3,600 W)	2,200 W (3,600 W)
Power of back left heating element (in boost)	2,200 W (3,600 W)	2,200 W (3,600 W)
Power of center heating element (in boost)	N/A	3,300 / 2,200 W (3,700 / 3,400 W)
Power of back right heating element (in boost)	2,600 W (3,700 W)	2,200 W (3,600 W)
Power of front right heating element (in boost)	1,400 W (2,200 W)	2,200 W (3,600 W)
Burners with booster	All*	All**
Element Size		
Dimension of front left heating element	8" x 9"	7" x 8"
Dimension of back left heating element	8" x 9"	7" x 8"
Dimension of center heating element	N/A	12", 9"
Dimension of back right heating element	11"	7" x 8"
Dimension of front right heating element	6"	7" x 8"
Technical Details		
Watts	7,200 W	11,100 W
Circuit breaker	30 A	50 A
Volts	208 – 240 V	208 – 240 V
Frequency	60 Hz	60 Hz
Plug type	No plug	No plug
Power cord length	37"	37"
Energy source	Electric	Electric
Dimensions & Weight		
Overall appliance dimensions (HxWxD)	1/4" +4 1/8" x 31" x 21 1/4"	5/16" +4 1/8" x 37" x 21 1/4"
Required cutout size (HxWxD)	4 1/8" x 28 7/8" x 20"	4 1/8" x 34 7/8" x 20"
Minimum distance from counter front	2 1/4"	2 1/4"
Minimum distance from rear wall	2"	2"
Net weight	43 lbs	53 lbs

*For 30" model Boost function may be used simultaneously in 2 zones only. See User Manual.

**For 36" model Boost function may be used simultaneously in 3 zones only. See User Manual.

Optional Accessories



HEZ390512
Teppanyaki



HEZ390210
8" AutoChef® Pan
for 6" Element



HEZ390220
9" AutoChef® Pan*
for 7" Element

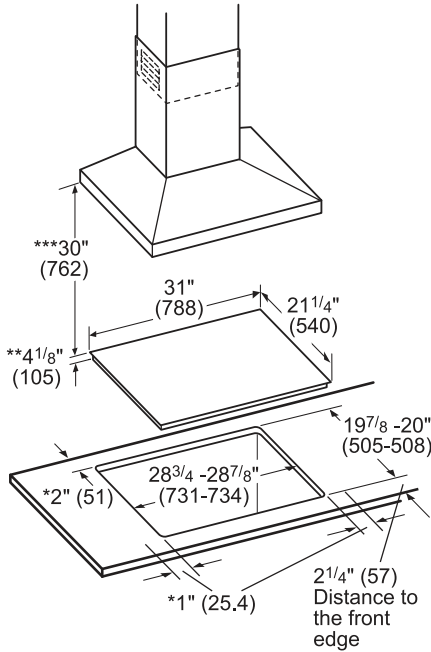


HEZ390230
10" AutoChef® Pan
for 8" and 9" Elements

*For use with 36" models

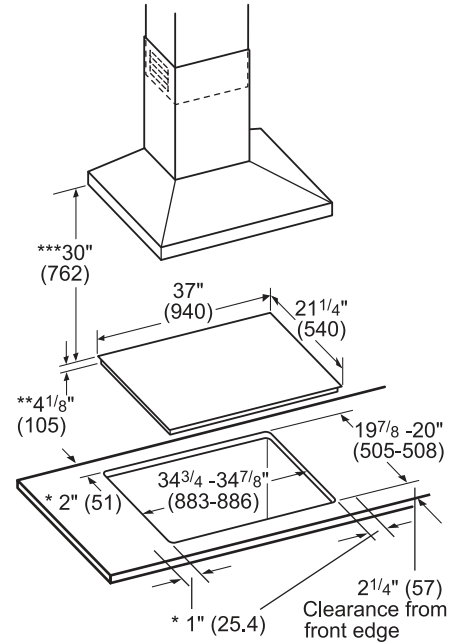
Benchmark® Induction Cooktops

30" Cooktop and Cutout Dimensions



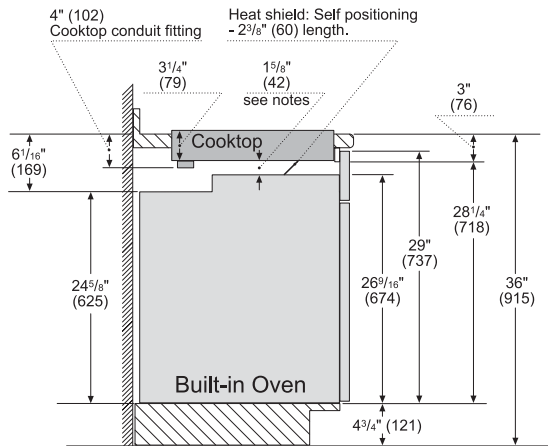
- * Minimum distance from the cooktop cutout to the wall
 - ** Installed depth includes 1" (26 mm) air clearance
 - *** Minimum distance between surface of the cooktop and lower edge of the exhaust hood.
- Dimensions in inches (mm)

36" Cooktop and Cutout Dimensions



- * Minimum clearance from the cooktop cutout to the wall
 - ** Installed depth includes gap of 1" (26 mm) to the ventilation
 - *** Minimum clearance between surface of the cooktop and lower edge of the exhaust hood.
- measurements in inches (mm)

30" & 36" Cooktop Installation Above Wall Oven



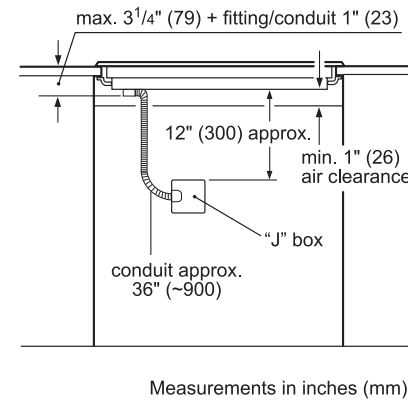
Notes:

Dimensions based on standard countertop height (36" with 4 3/4" toe kick including base plate).

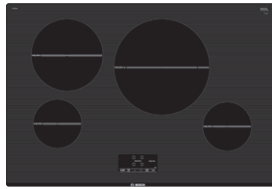
The built-in oven can be installed below the induction cooktop as long as there is a minimum 1" (26) clearance between the bottom of the cooktop and the top of the oven.

measurements in inches (mm)

Electrical Location



500 / 800 Series 30" Induction Cooktops



30" 500 Series
NIT5068UC

- 11" Cooking Zone
- 17 Power Levels
- Each Cooking Zone Has an Independent Countdown Timer
- SpeedBoost®



30" 800 Series
NIT8068UC (Frameless)
NIT8068SUC (Frame)

- + AutoChef®
- + PreciseSelect® Control
- + Framed and Frameless Options



+ Indicates a step-up feature

	500 Series	800 Series
	Black – NIT5068UC	Black – NIT8068UC Black with Stainless Steel Frame – NIT8068SUC
Element Performance		
Power of front left heating element	1,400 W	1,400 W
Power of front left heating element (in boost)	2,200 W	2,200 W
Power of back left heating element	2,200 W	2,200 W
Power of back left heating element (in boost)	3,700 W	3,700 W
Power of back right heating element	2,600 W	2,600 W
Power of back right heating element (in boost)	3,700 W	3,700 W
Power of front right heating element	1,400 W	1,400 W
Power of front right heating element (in boost)	2,200 W	2,200 W
Burners with booster	All	All
Element Size		
Dimension of front left heating element	6"	6"
Dimension of back left heating element	9"	9"
Dimension of back right heating element	11"	11"
Dimension of front right heating element	6"	6"
Technical Details		
Watts	7,200 W	7,200 W
Circuit breaker	30 A	30 A
Volts	208 – 240 V	208 – 240 V
Frequency	60 Hz	60 Hz
Plug type	No plug	No plug
Power cord length	37"	37"
Energy source	Electric	Electric
Dimensions & Weight		
Overall appliance dimensions (HxWxD)	1/4" +4 1/8" x 31" x 21 1/4"	1/4" +4 1/8" x 31" x 21 1/4"
Required cutout size (HxWxD)	4 1/8" x 28 7/8" x 20"	4 1/8" x 28 7/8" x 20"
Minimum distance from counter front	2 1/4"	2 1/4"
Minimum distance from rear wall	2"	2"
Net weight	41 lbs	41 lbs

Optional Accessories



HEZ390210
8" AutoChef® Pan
for 6" Element



HEZ390230
10" AutoChef® Pan
for 8" and 9" Elements

500 / 800 Series 36" Induction Cooktops



36" 500 Series
NIT5668UC

- 12" Dual-Ring Center Cooking Zone
- 17 Power Levels
- Each Cooking Zone Has an Independent Countdown Timer
- SpeedBoost®



36" 800 Series
NIT8668UC (Frameless)
NIT8668SUC (Frame)

- + AutoChef®
- + Framed and Frameless Options



+ Indicates a step-up feature

	500 Series	800 Series
	Black – NIT5668UC	Black – NIT8668UC Black with Stainless Steel Frame – NIT8668SUC
Element Performance		
Power of front left heating element (in boost)	1,800 W (3,100 W)	1,800 W (3,100 W)
Power of back left heating element (in boost)	1,800 W (3,100 W)	1,800 W (3,100 W)
Power of center heating element (in boost)	3,300 / 2,200 W (5,400 / 3,700 W)	3,300 / 2,200 W (5,400 / 3,700 W)
Power of back right heating element (in boost)	1,400 W (2,200 W)	1,400 W (2,200 W)
Power of front right heating element (in boost)	2,200 W (3,700 W)	2,200 W (3,700 W)
Burners with booster	All	All
Element Size		
Dimension of front left heating element	7"	7"
Dimension of back left heating element	7"	7"
Dimension of center heating element	12", 9"	12", 9"
Dimension of back right heating element	6"	6"
Dimension of front right heating element	9"	9" / 8"
Technical Details		
Watts	9,600 W	9,600 W
Circuit breaker	40 A	40 A
Volts	208 – 240 V	208 – 240 V
Frequency	60 Hz	60 Hz
Plug type	No plug	No plug
Power cord length	37"	37"
Energy source	Electric	Electric
Dimensions & Weight		
Overall appliance dimensions (HxWxD)	5/16" +4 1/8" x 37" x 21 1/4"	5/16" +4 1/8" x 37" x 21 1/4"
Required cutout size (HxWxD)	4 1/8" x 34 7/8" x 20"	4 1/8" x 34 7/8" x 20"
Minimum distance from counter front	2 1/4"	2 1/4"
Minimum distance from rear wall	2"	2"
Net weight	53 lbs	53 lbs

Optional Accessories



HEZ390210
8" AutoChef® Pan
for 6" Element



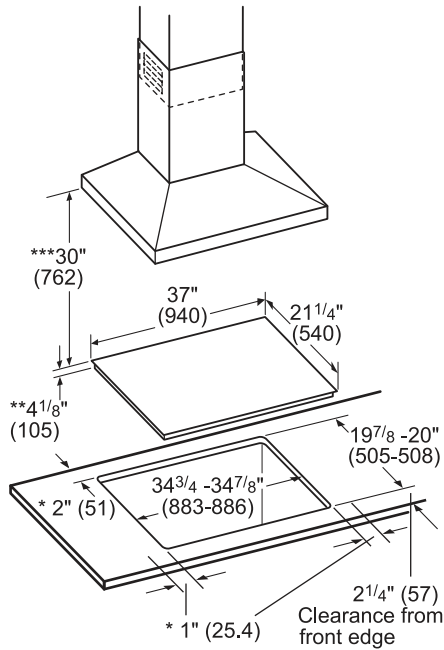
HEZ390220
9" AutoChef® Pan
for 7" Element



HEZ390230
10" AutoChef® Pan
for 8" and 9" Elements

500 / 800 Series 36" Induction Cooktops

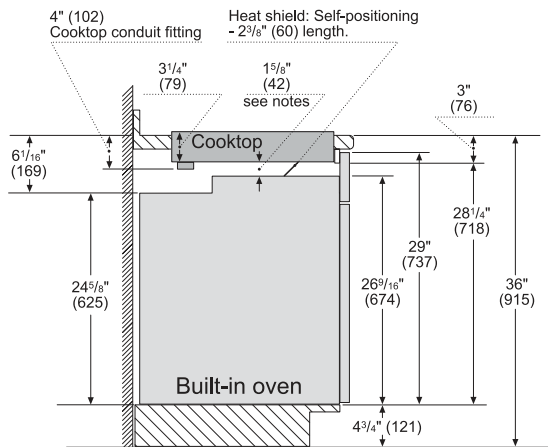
Cooktop and Cutout Dimensions



- * Minimum clearance from the cooktop cutout to the wall
- ** Installed depth includes gap of 1" (26 mm) to the ventilation
- *** Minimum clearance between surface of the cooktop and lower edge of the exhaust hood.

measurements in inches (mm)

36" Cooktop Installation Above Wall Oven



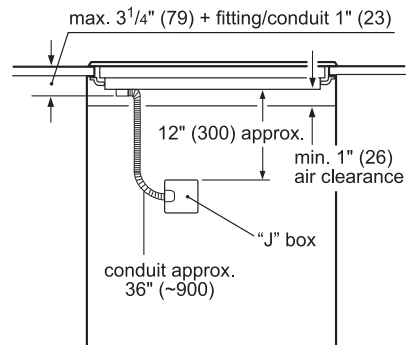
Notes:

Dimensions based on standard countertop height (36" with 4 3/4" toe kick including base plate).

The built-in oven can be installed below the induction cooktop as long as there is a minimum 1" (26) clearance between the bottom of the cooktop and the top of the oven.

measurements in inches (mm)

Electrical Location



Measurements in inches (mm)

Benchmark® Gas Cooktops



30" Benchmark®
NGMP055UC

- 20K Max. BTU Performance
- 5 Burners
- Dual-Stacked Hi / Lo Burner
- Distinctive Red Led Light Burner Indicators



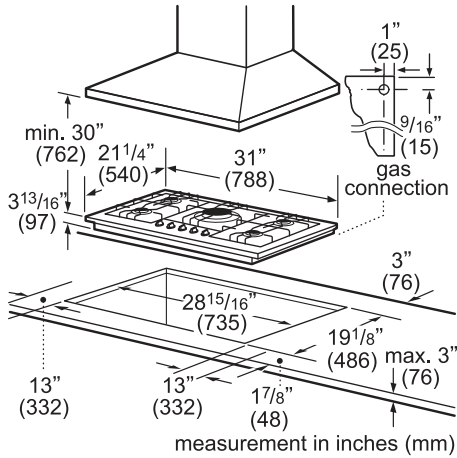
36" Benchmark®
NGMP655UC

- 20K Max. BTU Performance
- 5 Burners
- Dual-Stacked Hi / Lo Burner
- Distinctive Red Led Light Burner Indicators

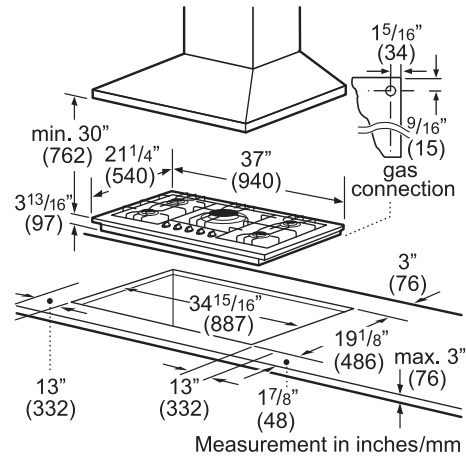
	30"	36"
	Stainless Steel – NGMP055UC	Stainless Steel – NGMP655UC
General Properties		
Knob material	Metal	Metal
Sealed burners	Yes	Yes
Grate material	Cast iron	Cast iron
Element Performance		
Total BTU load (NG / LP)	49,200 / 43,200	59,500 / 47,300
Power of front left burner (NG / LP)	9,100 / 9,100	12,000 / 9,100
Power of back left burner (NG / LP)	5,500 / 5,000	12,000 / 9,100
Power of center burner (NG / LP)	20,000 / 15,000	20,000 / 15,000
Power of back right burner (NG / LP)	9,100 / 9,100	5,500 / 5,000
Power of front right burner (NG / LP)	5,500 / 5,000	12,000 / 9,100
Technical Details		
Watts	360 W	360 W
Circuit breaker	15 A	15 A
Volts	120 V	120 V
Frequency	60 Hz	60 Hz
Plug type	3 prong	3 prong
Power cord length	60"	60"
Energy source	Gas	Gas
Convertible to LP (kit required)	Yes	Yes
Dimensions & Weight		
Overall appliance dimensions (HxWxD)	3 13/16" x 31" x 21 1/4"	3 13/16" x 37" x 21 1/4"
Required cutout size (HxWxD)	3 13/16" x 28 15/16" x 19 1/8"	3 13/16" x 34 15/16" x 19 1/8"
Minimum distance from counter front	1 7/8"	1 7/8"
Minimum distance from rear wall	3"	3"
Net weight	38 lbs	39 lbs
Accessories – Included		
Included	LP conversion kit	LP conversion kit

Benchmark® Gas Cooktops

30" Cooktop and Cutout Dimensions

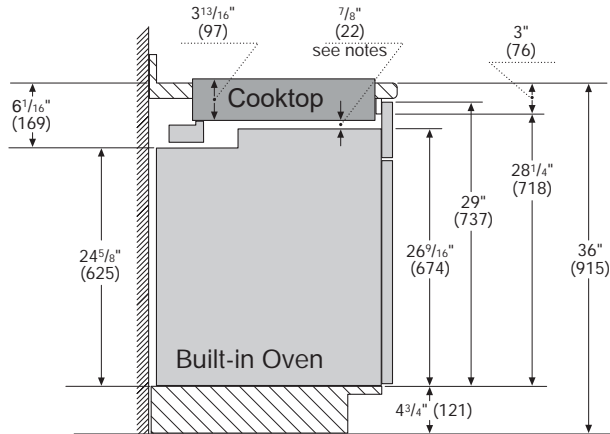


36" Cooktop and Cutout Dimensions



Cooktop Installation Above Wall Oven

36" Built-in oven - under gas cooktop



Notes

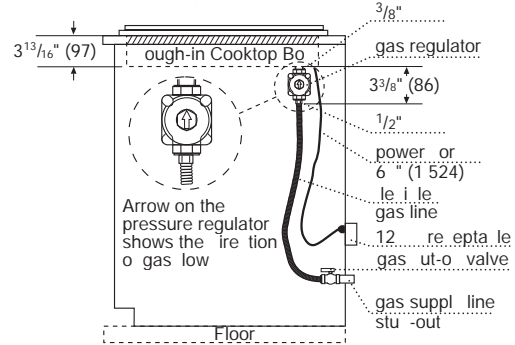
Dimensions are based on standard countertop height (36" with 4 3/4" toe kick in including base plate)

The built-in oven can be installed below the gas cooktop as long as there is no contact between the bottom of the cooktop and the top of the oven

Measurements in inches ()

Gas Location

Side View Gas Cooktop Installation



Measurements in inches ()

500 Series 24" Gas Cooktop



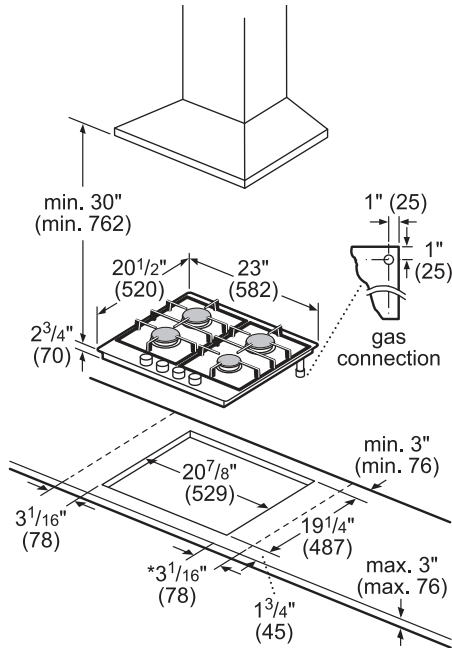
24" 500 Series
NGM5455UC

- 11.5K Max. BTU Performance
- 4 Burners
- Metal Knobs

500 Series	
Stainless Steel – NGM5455UC	
General Properties	
Knob material	Metal
Sealed burners	Yes
Grate material	Cast iron
Element Performance	
Total BTU load (NG / LP)	30,600 / 27,000
Power of front left burner (NG / LP)	5,000 / 5,000
Power of back left burner (NG / LP)	9,100 / 7,000
Power of center burner (NG / LP)	N/A
Power of back right burner (NG / LP)	11,500 / 10,000
Power of front right burner (NG / LP)	5,000 / 5,000
Technical Details	
Watts	360 W
Circuit breaker	15 A
Volts	120 V
Frequency	60 Hz
Plug type	3 prong
Power cord length	60"
Energy source	Gas
Convertible to LP (kit required)	Yes
Dimensions & Weight	
Overall appliance dimensions (HxWxD)	3 ³ / ₄ " x 23" x 20 ¹ / ₂ "
Required cutout size (HxWxD)	2 ³ / ₄ " x 20 ⁷ / ₈ " x 19 ¹ / ₄ "
Minimum distance from counter front	1 ³ / ₄ "
Minimum distance from rear wall	3"
Net weight	31 ¹ / ₂ lbs
Accessories – Included	
Included	LP conversion kit

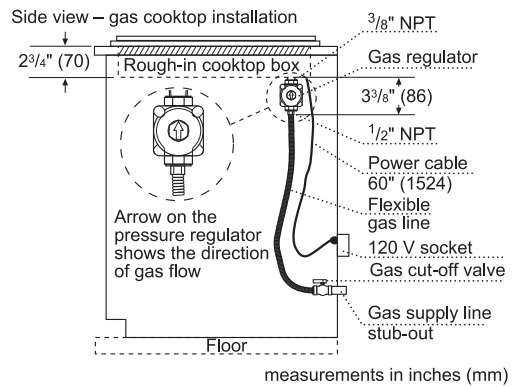
500 Series 24" Gas Cooktop

24" Cooktop and Cutout Dimensions

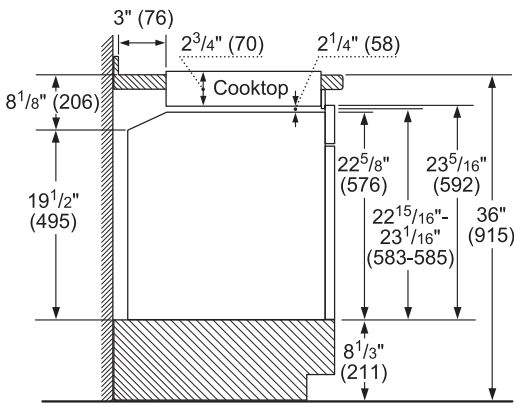


* 5 1/16" required when installed with a built-in oven. Reference the Bosch under cooktop built-in guide for more details.

24" Cooktop Gas Location



Cooktop Installation Above Wall Oven



Notes: Dimensions based on standard countertop height (36" with 4 3/4" toe kick including base plate).

The built-in oven can be installed below the cooktop as long as there is at least 2 1/4" (58) of space between the bottom flat surface of the cooktop and the top of the oven.

Please allow at least 2" (51) from the countertop front edge to the edge of the cutout.

measurements in inches (mm)

500 / 800 Series 30" Gas Cooktops



30" 500 Series
NGM5055UC

- 16K Max. BTU Performance
- Black Metal Knobs



30" 800 Series
NGM8055UC (Stainless Steel)
NGM8065UC (Black)

- + 18K Max. BTU Performance
- + 5 Burners
- + Distinctive Red Led Light Burner Indicators
- + Stainless Steel Knobs (Black Metal Knobs on Black Model)

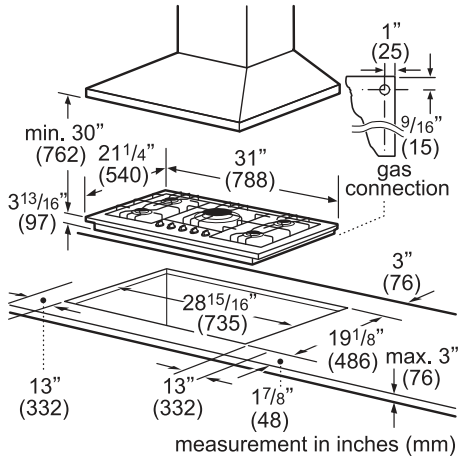


+ Indicates a step-up feature

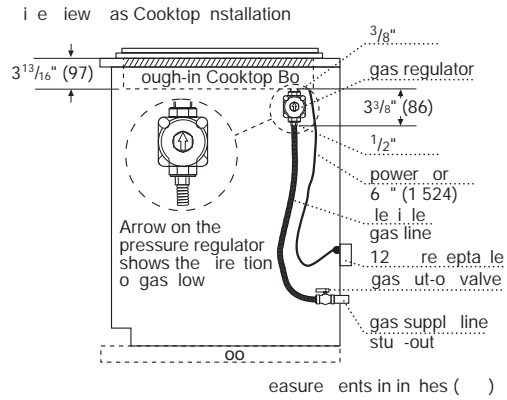
	500 Series	800 Series
	Stainless Steel – NGM5055UC	Stainless Steel – NGM8055UC Black – NGM8065UC
General Properties		
Knob material	Metal	Metal
Sealed burners	Yes	Yes
Grate material	Cast iron	Cast iron
Element Performance		
Total BTU load (NG / LP)	41,500 / 38,200	47,200 / 43,200
Power of front left burner (NG / LP)	10,000 / 9,100	9,100 / 9,100
Power of back left burner (NG / LP)	10,000 / 9,100	5,500 / 5,000
Power of center burner (NG / LP)	N/A	18,000 / 15,000
Power of back right burner (NG / LP)	5,500 / 5,000	9,100 / 9,100
Power of front right burner (NG / LP)	16,000 / 15,000	5,500 / 5,000
Technical Details		
Watts	360 W	360 W
Circuit breaker	15 A	15 A
Volts	120 V	120 V
Frequency	60 Hz	60 Hz
Plug type	3 prong	3 prong
Power cord length	60"	60"
Energy source	Gas	Gas
Convertible to LP (kit required)	Yes	Yes
Dimensions & Weight		
Overall appliance dimensions (HxWxD)	3 13/16" x 31" x 21 1/4"	3 13/16" x 31" x 21 1/4"
Required cutout size (HxWxD)	3 13/16" x 28 15/16" x 19 1/8"	3 13/16" x 28 15/16" x 19 1/8"
Minimum distance from counter front	1 7/8"	1 7/8"
Minimum distance from rear wall	3"	3"
Net weight	37 lbs	37 lbs
Accessories – Included		
Included	LP conversion kit	LP conversion kit

500 / 800 Series 30" Gas Cooktops

30" Cooktop and Cutout Dimensions

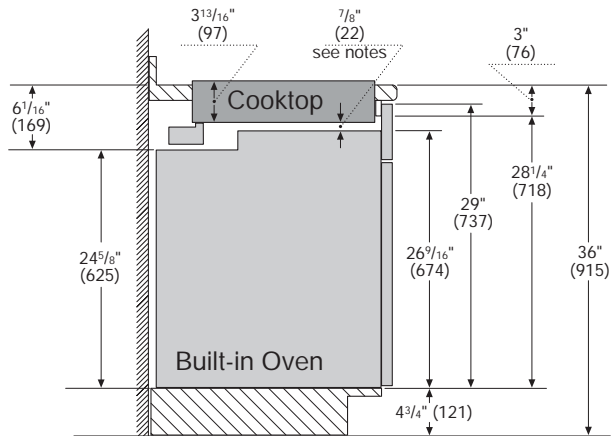


30" Cooktop Gas Location



Cooktop Installation Above Wall Oven

30" Built-in oven - under gas cooktop



Notes

Dimensions are based on standard countertop height (36" with 4 3/4" toe kick including base plate)

The built-in oven can be installed below the gas cooktop as long as there is no contact between the bottom of the cooktop and the top of the oven

measurements in inches ()

500 / 800 Series 36" Gas Cooktops



36" 500 Series
NGM5655UC

- 16K Max. BTU Performance
- Black Metal Knobs



36" 800 Series
NGM8655UC (Stainless Steel)
NGM8665UC (Black)

- + 18K Max. BTU Performance
- + 5 Burners
- + Distinctive Red Led Light Burner Indicators
- + Stainless Steel Knobs (Black Metal Knobs on Black Model)

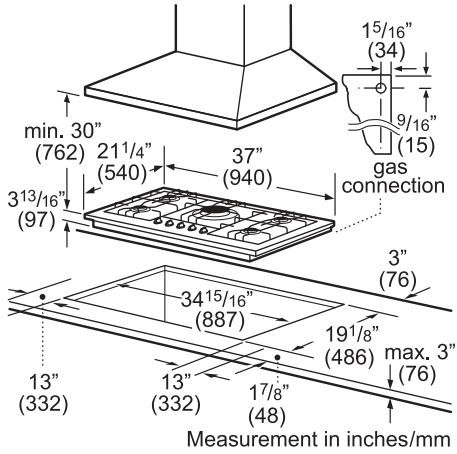


+ Indicates a step-up feature

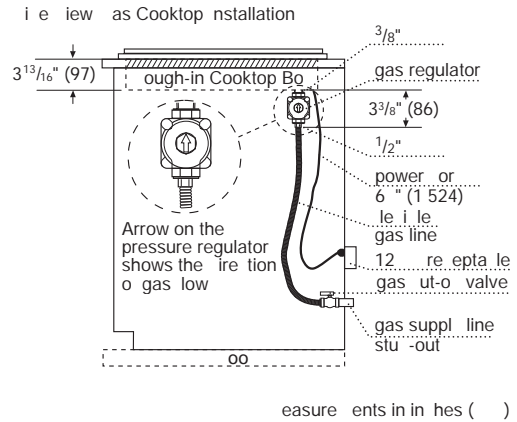
	500 Series	800 Series
	Stainless Steel – NGM5655UC	Stainless Steel – NGM8655UC Black – NGM8665UC
General Properties		
Knob material	Metal	Metal
Sealed burners	Yes	Yes
Grate material	Cast iron	Cast iron
Element Performance		
Total BTU load (NG / LP)	57,500 / 47,300	59,500 / 47,300
Power of front left burner (NG / LP)	12,000 / 9,100	12,000 / 9,100
Power of back left burner (NG / LP)	12,000 / 9,100	12,000 / 9,100
Power of center burner (NG / LP)	16,000 / 15,000	18,000 / 15,000
Power of back right burner (NG / LP)	5,500 / 5,000	5,500 / 5,000
Power of front right burner (NG / LP)	12,000 / 9,100	12,000 / 9,100
Technical Details		
Watts	360 W	360 W
Circuit breaker	15 A	15 A
Volts	120 V	120 V
Frequency	60 Hz	60 Hz
Plug type	3 prong	3 prong
Power cord length	60"	60"
Energy source	Gas	Gas
Convertible to LP (kit required)	Yes	Yes
Dimensions & Weight		
Overall appliance dimensions (HxWxD)	3 13/16" x 37" x 21 1/4"	3 13/16" x 37" x 21 1/4"
Required cutout size (HxWxD)	3 13/16" x 34 15/16" x 19 1/8"	3 13/16" x 34 15/16" x 19 1/8"
Minimum distance from counter front	1 7/8"	1 7/8"
Minimum distance from rear wall	3"	3"
Net weight	39 lbs	39 lbs
Accessories – Included		
Included	LP conversion kit	LP conversion kit

500 / 800 Series 36" Gas Cooktops

Cooktop and Cutout Dimensions

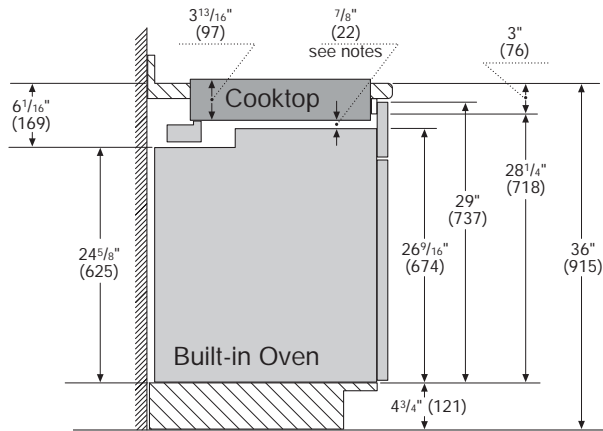


Gas Location



Cooktop Installation Above Wall Oven

3 1/8" Built-in oven - under gas cooktop



Notes

Dimensions are based on standard countertop height (36" with 4 3/4" toe kick including base plate)

The built-in oven can be installed below the gas cooktop as long as there is no contact between the bottom of the cooktop and the top of the oven

Measurements in inches ()

Benchmark® Electric Cooktops



30" Benchmark®
NETP068SUC

- Five Elements
- 9", 3,600 W Dual-Ring Element
- 7", 2,000 W Dual-Ring Element
- AutoChef®
- SpeedBoost®



36" Benchmark®
NETP668SUC

- Five Elements
- 11", 3,080 W Triple-Ring Element
- 8", 1,900 W Dual-Ring Element
- AutoChef®
- Bridge Element

	30"	36"
	Black with Stainless Steel Frame – NETP068SUC	Black with Stainless Steel Frame – NETP668SUC
Element Performance		
Power of front left heating element	2,000 / 800 W	1,800 W
Power of back left heating element	1,200 W	1,800 W
Power of center heating element	3,600 / 1,400 W	3,080 / 2,200 / 1,050 W
Power of back right heating element	1,200 W	1,200 W
Power of front right heating element	1,500 W	1,900 / 800 W
Element Size		
Dimension of front left heating element	7", 5"	7"
Dimension of back left heating element	6"	7"
Dimension of center heating element	9", 6"	11", 8", 6"
Dimension of back right heating element	6"	6"
Dimension of front right heating element	7"	8", 5"
Technical Details		
Watts	9,000 W	9,700 W
Circuit breaker	40 A	40 A
Volts	208 – 240 V	208 – 240 V
Frequency	60 Hz	60 Hz
Plug type	No plug	No plug
Energy source	Electric	Electric
Dimensions & Weight		
Overall appliance dimensions (HxWxD)	1/4" +4" x 31" x 21 1/4"	1/4" +4" x 37" x 21 1/4"
Required cutout size (HxWxD)	4" x 28 7/8" x 20"	4" x 34 7/8" x 20"
Minimum distance from counter front	2 1/4"	2 1/4"
Minimum distance from rear wall	2"	2"
Net weight	32 lbs	33 lbs

Optional Accessories



HEZ390210
8" AutoChef® Pan
for 6" Element



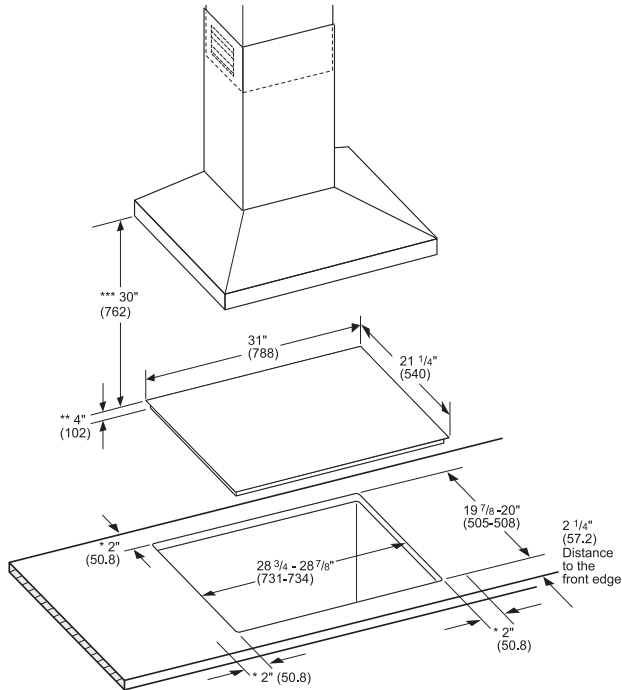
HEZ390220
9" AutoChef® Pan
for 7" Element



HEZ390230
10" AutoChef® Pan
for 8" and 9" Elements

Benchmark® Electric Cooktops

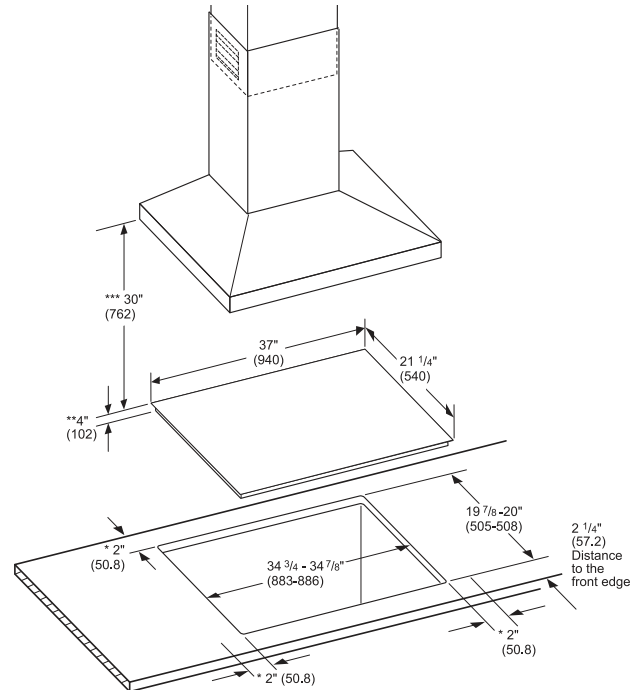
30" Cooktop and Cutout Dimensions



* Minimum distance from the cooktop cutout to the wall
 ** Maximum cutout depth
 *** Minimum distance between the cooktop surface and lower edge of the exhaust hood.

Dimensions in inches (mm)

36" Cooktop and Cutout Dimensions

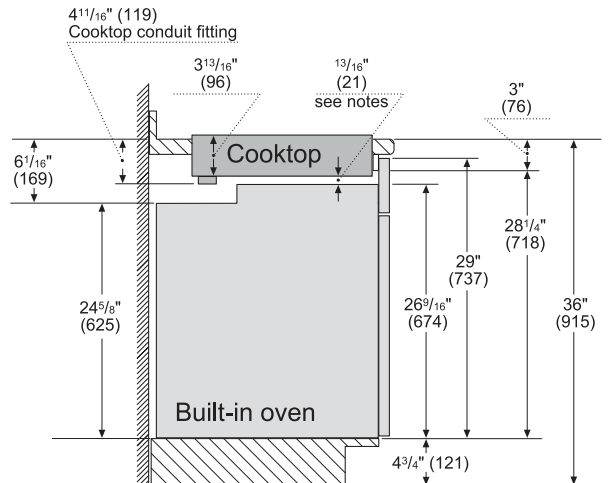


* Minimum distance from the cooktop cutout to the wall
 ** Maximum cutout depth
 *** Minimum distance between the cooktop surface and lower edge of the exhaust hood.

Dimensions in inches (mm)

Cooktop Installation Above Wall Oven

30" Built-in oven – under electric cooktop



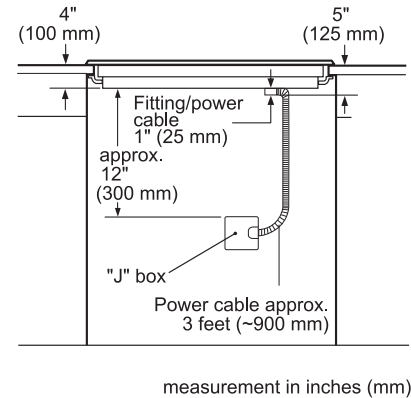
Notes:

Dimensions based on standard countertop height (36" with 4 3/4" toe kick including base plate).

The built-in oven can be installed below the electric cooktop as long as there is no contact between the bottom of the cooktop and the top of the oven.

measurements in inches (mm)

Electrical Location



measurement in inches (mm)

500 Series 24" Electric Cooktop



24" 500 Series
NEM5466UC

- 8", 2,200 W Element
- 6", 1,850 W Element
- Residual Heat Indicator
- Stainless Steel Color Knobs

500 Series	
Black Frameless – NEM5466UC	
General Properties	
Knob material	Plastic
Element Performance	
Power of front left heating element	1,850 W
Power of back left heating element	2,200 W
Power of back right heating element	1,200 W
Power of front right heating element	1,800 W
Element Size	
Dimension of front left heating element	6"
Dimension of back left heating element	8"
Dimension of back right heating element	6"
Dimension of front right heating element	7"
Technical Details	
Watts	7,100 W
Circuit breaker	30 A
Volts	208–240 V
Frequency	60 Hz
Plug type	No plug
Energy source	Electric
Dimensions & Weight	
Overall appliance dimensions (HxWxD)	1/8" + 4 1/3" x 23" x 20 1/5"
Required cutout size (HxWxD)	4 1/3" x 22" x 19 1/4"
Minimum distance from counter front	2 1/4"
Minimum distance from rear wall	2"
Net weight	24 lbs

Optional Accessories



HEZ390210
8" AutoChef® Pan
for 6" Element



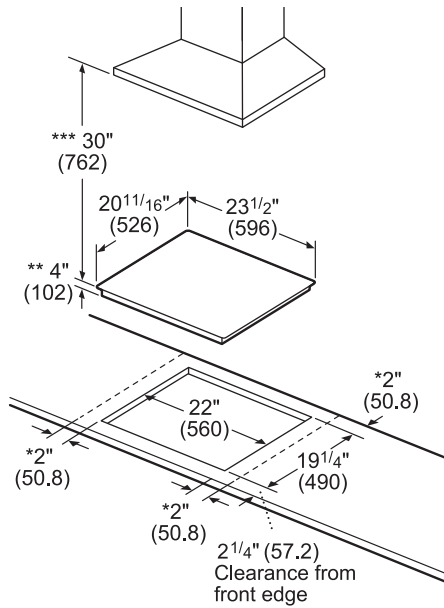
HEZ390220
9" AutoChef® Pan
for 7" Element



HEZ390230
10" AutoChef® Pan
for 8" and 9" Elements

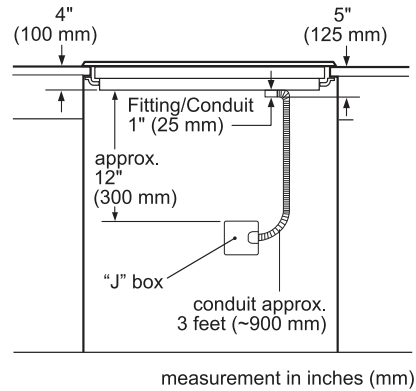
500 Series 24" Electric Cooktop

Cooktop and Cutout Dimensions

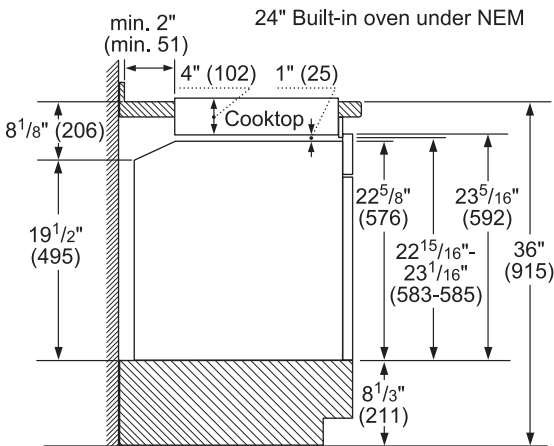


- * Minimum clearance from the cooktop cutout to the wall
 - ** Maximum cutout depth
 - *** Minimum clearance between the cooktop surface and lower edge of the exhaust hood.
- measurements in inches (mm)

Gas Location



Cooktop Installation Above Wall Oven



Notes: Dimensions based on standard countertop height (36" with 4 3/4" toe kick including base plate).

The built-in oven can be installed below the cooktop as long as there is at least 1" (25) of space between the bottom flat surface of the cooktop and the top of the oven.

Please allow at least 2" (51) from the countertop front edge to the edge of the cutout.

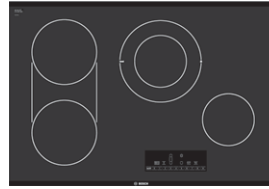
measurements in inches (mm)

500 / 800 Series 30" Electric Cooktops



30" 500 Series
NEM5066UC

- 7" Dual-Ring Element
- 9", 2,500 W Element
- Residual Heat Indicator
- Stainless Steel Color Knobs



30" 800 Series
NET8068UC (Frameless)
NET8068SUC (Frame)

- + PreciseSelect® Control
- + 9", 3,600 W Dual-Ring Element
- + Countdown Element Shut Off Timer
- + Framed and Frameless Options



+ Indicates a step-up feature

	500 Series	800 Series
	Black Frameless – NEM5066UC	Black Frameless – NET8068UC Black with Stainless Steel Frame – NET8068SUC
General Properties		
Knob material	Stainless steel color – plastic	N/A
Element Performance		
Power of front left heating element	1,700 / 700 W	1,800 W
Power of back left heating element	1,800 W	1,800 W
Power of back right heating element	1,200 W	3,600 / 1,400 W
Power of front right heating element	2,500 W	1,200 W
Element Size		
Dimension of front left heating element	7", 5"	7"
Dimension of back left heating element	7"	7"
Dimension of back right heating element	6"	9", 6"
Dimension of front right heating element	9"	6"
Technical Details		
Watts	7,200 W	8,300 W
Circuit breaker	30 A	40 A
Volts	208–240 V	208–240 V
Frequency	60 Hz	60 Hz
Plug type	No plug	No plug
Energy source	Electric	Electric
Dimensions & Weight		
Overall appliance dimensions (HxWxD)	1/4" +4" x 31" x 21 1/4"	1/4" +4" x 31" x 21 1/4"
Required cutout size (HxWxD)	4" x 28 7/8" x 20"	4" x 28 7/8" x 20"
Minimum distance from counter front	2 1/4"	2 1/4"
Minimum distance from rear wall	2"	2"
Net weight	25 lbs	31 lbs

Optional Accessories



HEZ390210
8" AutoChef® Pan
for 6" Element



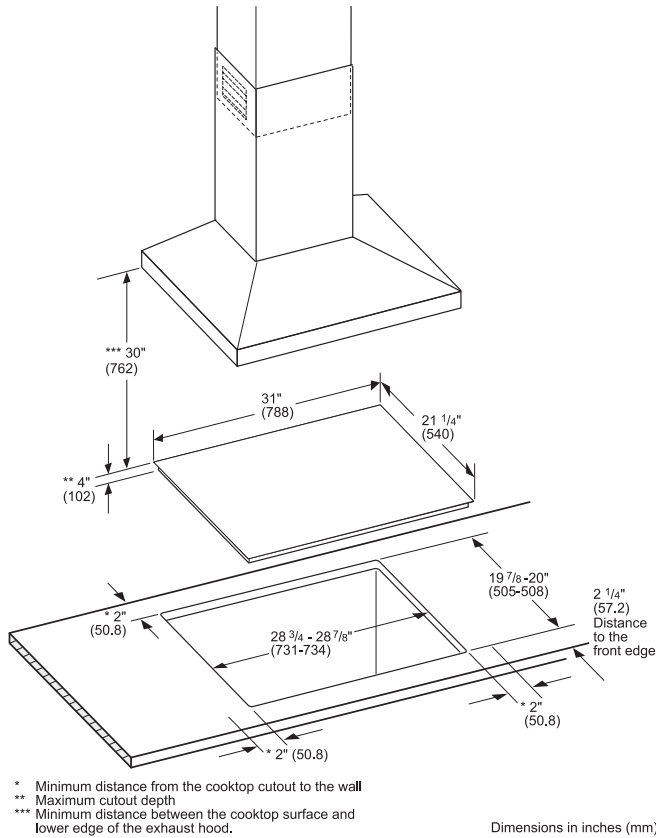
HEZ390220
9" AutoChef® Pan
for 7" Element



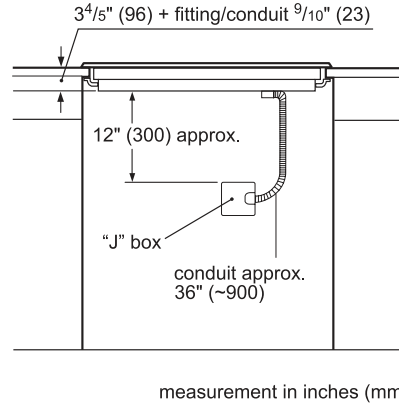
HEZ390230
10" AutoChef® Pan
for 8" and 9" Elements

500 / 800 Series 30" Electric Cooktops

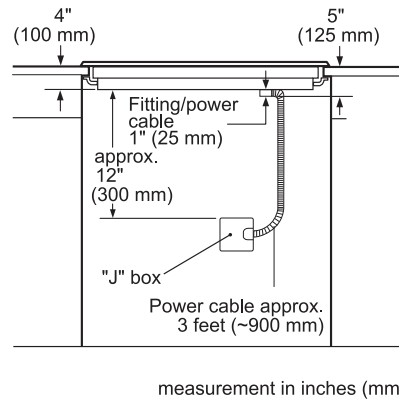
30" Cooktop and Cutout Dimensions



500 Series – Cooktop Electrical Location

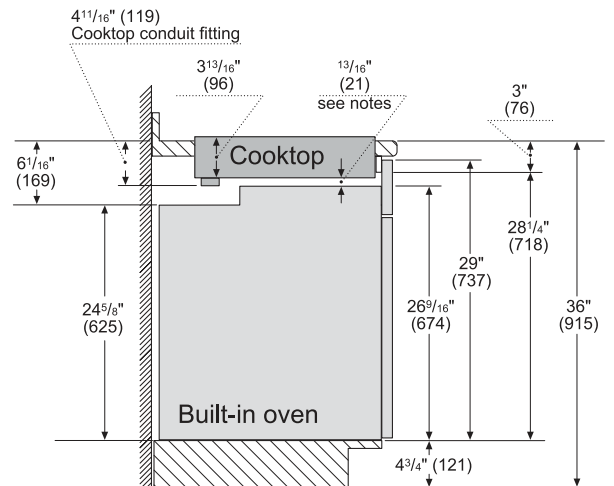


800 Series – Cooktop Electrical Location



Cooktop Installation Above Wall Oven

30" Built-in oven – under electric cooktop



Notes:

Dimensions based on standard countertop height (36" with 4 3/4" toe kick including base plate).

The built-in oven can be installed below the electric cooktop as long as there is no contact between the bottom of the cooktop and the top of the oven.

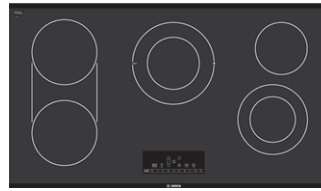
measurements in inches (mm)

500 / 800 Series 36" Electric Cooktops



36" 500 Series
NEM5666UC

- Residual Heat Indicator
- 9", 2,500 W Dual-Ring Element
- 7", 1,700 W Dual-Ring Element
- Stainless Steel Color Knobs



36" 800 Series
NET8668UC (Frameless)
NET8668SUC (Frame)

- + PreciseSelect® Control
- + 9", 3,600 W Center Element
- + Countdown Element Shut Off Timer
- + Framed and Frameless Options
- + SpeedBoost®



+ Indicates a step-up feature

	500 Series	800 Series
	Black Frameless – NEM5666UC	Black Frameless – NET8668UC Black with Stainless Steel Frame – NET8668SUC
General Properties		
Knob material	Stainless steel color – plastic	N/A
Element Performance		
Power of front left heating element	1,700 / 700 W	1,800 W
Power of back left heating element	1,800 W	1,800 W
Power of center heating element	1,800 W	3,600 / 1,400 W
Power of back right heating element	1,200 W	1,200 W
Power of front right heating element	2,500 / 1,100 W	1,900 / 800 W
Element Size		
Dimension of front left heating element	7", 5"	7"
Dimension of back left heating element	7"	7"
Dimension of center heating element	7"	9", 6"
Dimension of back right heating element	6"	6"
Dimension of front right heating element	9", 6"	8", 5"
Technical Details		
Watts	9,000 W	10,200 W
Circuit breaker	40 A	50 A
Volts	208–240 V	208–240 V
Frequency	60 Hz	60 Hz
Plug type	No plug	No plug
Energy source	Electric	Electric
Dimensions & Weight		
Overall appliance dimensions (HxWxD)	1/4" +4" x 37" x 21 1/4"	1/4" +4" x 37" x 21 1/4"
Required cutout size (HxWxD)	4" x 34 7/8" x 20"	4" x 34 7/8" x 20"
Minimum distance from counter front	2 1/4"	2 1/4"
Minimum distance from rear wall	2"	2"
Net weight	30 lbs	37 lbs

Optional Accessories



HEZ390210
8" AutoChef® Pan
for 6" Element



HEZ390220
9" AutoChef® Pan
for 7" Element



HEZ390230
10" AutoChef® Pan
for 8" and 9" Elements

Built-in Ovens

Bosch ovens are designed to beautifully enhance any kitchen. Whether cooking a quiche for two or preparing a roast for twelve, our ovens are engineered with innovative technologies that perform flawlessly, day in and day out. Bosch ovens let you cook with creativity and ease, with intuitive features like QuietClose® doors that never slam shut after a hectic day. Genuine European Convection provides even baking on all three racks. With an understated, built-in look that makes a timeless statement, the Bosch oven complements your taste in both cooking and design.





Benchmark® Built-in Wall Ovens



SideOpening door

Enjoy the intuitive ease of our left or right SideOpening door, available on Benchmark® wall ovens. It provides better ergonomic access to the oven cavity, allowing you to remove heavy dishes effortlessly.



Horizontal, flush installation

Our Benchmark® wall ovens are designed to align perfectly whether installed horizontally or vertically. Horizontal installation provides a distinctively modern look, especially when paired with the steam or speed oven and a warming or storage drawer. Horizontal installation also offers better ergonomic access for ease of use.



Easy, touch controls

Color TFT Control Panel with SteelTouch® buttons provides easy oven operation. The high-definition display features extra sharp images and easy-to-read text.



Steam convection

The Benchmark® steam convection oven prepares dishes that are tender on the inside and crisp on the outside. Steam cooking helps vegetables retain their intended color, nutrients and flavor.





Wall Oven Inspiration Gallery

Explore all of the exciting design possibilities.



Flush or Proud Install

All Bosch wall ovens can be installed flush for a sleek European look or proud for a more traditional look.



Example Flush Install



Example Proud Install



French Door Ovens

This is a great combination for clients who need double oven capacity, but who also require the quality results given with convection performance. SideOpening doors allow the easiest access for everyone, especially those with limited reach capabilities.

HBLP451LUC and HBLP451RUC shown



Double French Door Ovens with Drawers

This pair of double ovens is a baker's dream. Installing these ovens in a French door configuration allows maximum accessibility to the cavities. Multiple chefs have enough space to work together.

HBLP651LUC, HSD5051UC, HBLP651RUC and HWD5051UC shown



Horizontal Cooking Center

This combination is designed for the cook who wants different cooking options. The flush aesthetic of this oven series works with any design theme in any combination of ovens used. The simple clean design brings technology to the kitchen and enhances all design styles.

HSLP451UC, HSD5051UC, HMC80252UC, HWD5051UC and HBLP451UC shown

NOTE: See pages 70–79 for planning and installation details when installing Bosch wall ovens in these and other exciting design combinations. Horizontal installation of a 27" oven next to a 27" speed oven with warming drawer is possible, but the speed oven and warming drawer require either two cutouts or one cutout with a shelf support in between.



French Door Ovens with Speed or Steam Oven

This solution gives an active family that cooks together two ovens that can be accessed at the same time. This installation positions both full size ovens in a height comfortable for most users. The SideOpening doors give even easier access, without the need to reach over an open door.

HBLP451LUC, HSLP451UC, HWD5051UC and HBLP451RUC shown



Balanced Horizontal Cooking Center

This is a visually balanced configuration of all the technologies a modern cook wants. The large center convection oven is balanced with the shorter speed and steam ovens with either storage or warming drawer to complete the lines. Having all 3 types of oven lets the cook decide which unit serves a particular need.

HSLP451UC, HSD5051UC, HBLP451UC, HMC80252UC and HWD5051UC shown



Balanced Horizontal Cooking Center

A cook with a large family or who entertains often will find everything he or she needs with this configuration. This installation takes less wall space than placing two convection ovens side by side and is perfect for the cook who commonly uses all the different technologies.

The positioning of the control panels and clean uniform lines of each unit allows for different custom configurations with the same modern look.

HSLP451UC, HSD5051UC, HBLP651UC, HMC80252UC and HWD5051UC shown



Cube Installation

This concise combination offers speed, steam and two convection ovens in a limited wall space. Only two electrical connections and cutouts are required for these four products.

HBLP752UC and HSLP751UC shown



Triple Stack

Together, these combination oven units together give the home chef a versatile baking center in a small footprint. The addition of storage and warming drawers below keeps lines consistent, and adds the convenience to retain the quality of prepared food until guests arrive.

HBLP752UC, HSD5051UC, HSLP751UC and HWD5051UC shown



Balanced Horizontal Cooking Center

This ergonomic horizontal installation offers a strong linear baking zone that takes full advantage of an expansive kitchen wall. All the oven technologies are at a comfortable, safe height for most cooks. The SideOpening doors make oven contents easy to access. It is great for large families cooking together and groups with different levels of reach and mobility.

HBLP451LUC, HMC80252UC, HWD5051UC, HSLP451UC, HSD5051UC and HBLP451RUC shown

NOTE: See pages 70–79 for planning and installation details when installing Bosch wall ovens in these and other exciting design combinations. Horizontal installation of a 27" oven next to a 27" speed oven with warming drawer is possible, but the speed oven and warming drawer require either two cutouts or one cutout with a shelf support in between.

Benchmark® Single Ovens



Standard
Opening Door
HBLP451UC



SideOpening
Left Swing Door
HBLP451LUC



SideOpening
Right Swing Door
HBLP451RUC



30" Benchmark® Single Ovens

- Color TFT Control Panel
- Halogen Lights
- AutoProbe

30" Benchmark®

Standard Opening Stainless Steel – HBLP451UC
 SideOpening Left Swing Stainless Steel – HBLP451LUC
 SideOpening Right Swing Stainless Steel – HBLP451RUC

General Properties

Cooking modes	Bake, Variable Broil (Hi & Low), Roast, Warm, Sabbath, Proof Dough, Convection Bake, Convection Broil, Convection Roast, Pizza, Multi Rack Genuine European Convection, Convection Conversion, AutoProbe, Fast Preheat, EcoChef, Speed Convection (Frozen Foods)
Cleaning type	Self clean
Telescopic rack	1
Illumination type	Halogen
Interior lights	2

Oven Performance

Bake element wattages	2,400 W
Broil element wattages	3,800 W
Convection element wattages	2,000 W

Technical Details

Watts (W)	6,325 W
Circuit breaker (A)	30 A
Volts (V)	240 / 208 V
Frequency (Hz)	60 Hz
Power cord length (in)	50"
Plug type	Fixed connection, no plug
Energy source	Electric

Dimensions & Weight

Overall appliance dimensions (HxWxD) (in)	29" x 29 3/4" x 24 1/2"
Required cutout size (HxWxD) (in)	27" – 28 5/8" x 28 1/2" x 23 1/2"
Oven cavity size (cu. ft.)	4.6
Overall oven interior dimensions (HxWxD) (in)	17 13/16" x 24 1/8" x 18"
Usable oven interior dimensions (HxWxD) (in)	12 5/16" x 23 1/4" x 15 1/4"
Net weight (lbs)	149 lbs

Accessories – Included

Included	1 Telescopic and 2 standard oven racks, temperature probe, broiler pan
----------	--

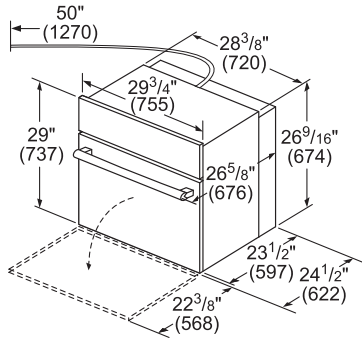
Optional Accessories



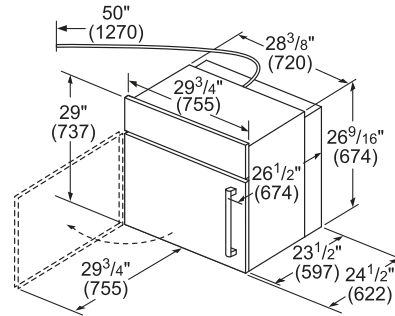
HEZTR301
30" Telescopic Rack

Benchmark® Single Ovens

30" Single Wall Oven

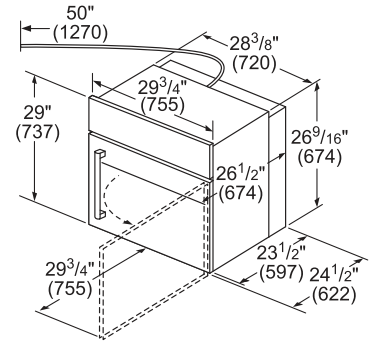


30" SideOpening Left Swing Door



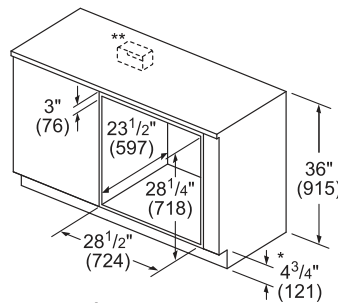
Allow $\frac{3}{4}$ " (19 mm) gap to nearest cabinet face for door swing on SideOpening models

30" SideOpening Right Swing Door



Allow $\frac{3}{4}$ " (19 mm) gap to nearest cabinet face for door swing on SideOpening models

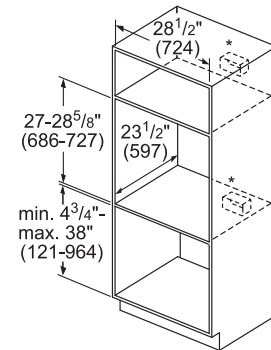
Under-Counter Installation



* Includes $\frac{3}{4}$ " (19) base plate

**For single ovens installed under a countertop, the junction box may be located to the left or right of the unit within reach of the power conduit.

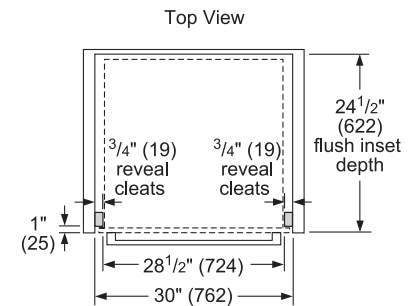
Wall-Mounted Installation



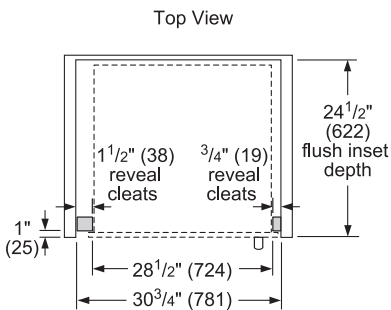
* For single ovens installed into a wall cabinet, the junction box may be located above or beneath the unit within reach of the power conduit.

measurements in inches (mm)

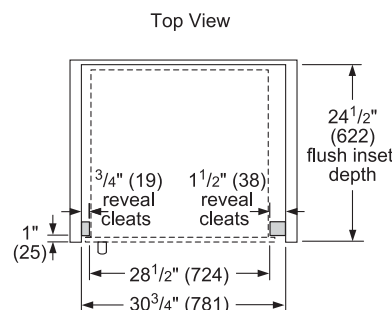
30" Single Wall Oven Flush Install



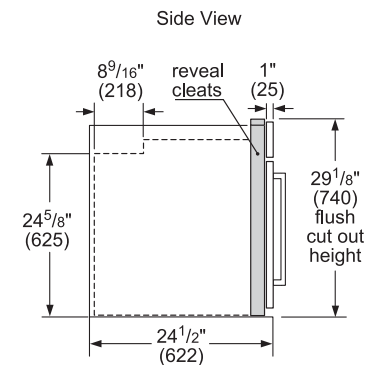
30" SideOpening Left Swing Door Flush Installation



30" SideOpening Right Swing Door Flush Installation



Single Wall Oven Flush Installation



Measurements in inches (mm)

NOTE: Bosch single wall ovens can be installed in combination with other Bosch cooking products. See pages 71–73 for details.

500 Series 24" Single Oven



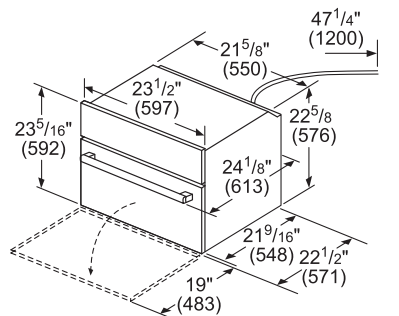
24" 500 Series
HBE5451UC

- 2.8 cu. ft.
- Genuine European Convection
- Thermal Cooking
- Extension Rack
- DualClean® System

500 Series	
24" Stainless Steel – HBE5451UC	
General Properties	
Cooking modes	Bake, Broil Plus, Convection Bake, Convection Broil, Convection Broil Plus, Multi-Rack Genuine European Convection, Pie, Warm, Defrost, Frozen Foods
Cleaning type	DualClean® System (uses the cavity coating and heat to burn off most grease)
Telescopic rack	1
Illumination type	Halogen
Interior lights	2
Oven Performance	
Bake / broil element wattages	1,300 / 3,060 W
Convection element wattages	2,200 W
Technical Details	
Watts (W)	3,300 W
Circuit breaker (A)	20 A
Volts (V)	240 / 208 V
Frequency (Hz)	60 Hz
Power cord length (in)	47 1/4"
Plug type	Fixed connection, no plug
Energy source	Electric
Dimensions & Weight	
Overall appliance dimensions (HxWxD) (in)	23 5/16" x 23 1/2" x 22 1/2"
Required cutout size (HxWxD) (in)	21 15/16" – 23 1/16" x 21 15/16" x 22 1/16"
Oven cavity size (cu. ft.)	2.8
Overall oven interior dimensions (HxWxD) (in)	15 1/16" x 18 3/16" x 17 11/16"
Usable oven interior dimensions (HxWxD) (in)	11" x 17 1/4" x 16 1/4"
Net weight (lbs)	87 lbs
Accessories – Included	
Included	1 Standard rack, 1 telescopic rack

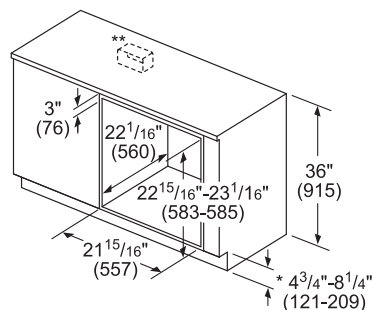
500 Series 24" Single Oven

24" Single Wall Oven



measurements in inches (mm)

24" Single Oven Under-Counter Installation

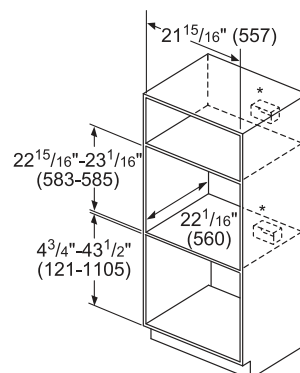


* Includes ³/₄" (19) base plate

** For single ovens installed under a countertop, the junction box may be located to the left or right of the unit within reach of the power conduit.

measurements in inches (mm)

24" Single Oven Wall-Mounted Installation

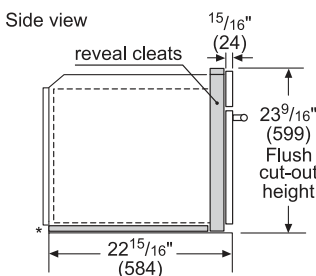
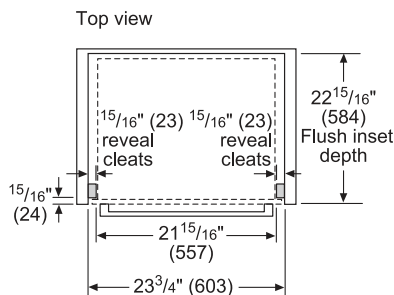


* For wall installations, the junction box may be located above or below the unit within reach of the power cable.

For ergonomic reasons, it is recommended to install the oven as high as possible.

measurements in inches (mm)

24" Single Wall Oven Flush Installation



* Flush installation requires a ³/₁₆" (5 mm) high x 21¹⁵/₁₆" (557 mm) wide x 22¹/₁₆" (560 mm) deep baseplate underneath the unit body.

measurements in inches (mm)

500 / 800 Series Single Ovens



- 30" 500 Series**
HBL5351UC
- 4.6 cu. ft.
 - Thermal Cooking
 - Stainless Steel Knobs



- 500 Series**
30" HBL5451UC
27" HBN5451UC
- 4.6 cu. ft. (27" is 3.9 cu. ft.)
 - + European Convection
 - Thermal Cooking
 - Stainless Steel Knobs

27"



- 800 Series**
30" HBL8451UC
30" HBL8461UC
27" HBN8451UC
- 4.6 cu. ft. (27" is 3.9 cu. ft.)
 - + QuietClose® Door
 - + Touch Control
 - + Extension Rack
 - + Meat Probe

Black 27"

+ Indicates a step-up feature

	500 Series	500 Series	800 Series
	30" Stainless Steel – HBL5351UC	30" Stainless Steel – HBL5451UC 27" Stainless Steel – HBN5451UC	30" Stainless Steel – HBL8451UC 30" Black – HBL8461UC 27" Stainless Steel – HBN8451UC
General Properties			
Cooking modes	Bake, Variable Broil (Hi & Low), Roast, Warm, Sabbath	Bake, Variable Broil (Hi & Low), Roast, Warm, Sabbath, Proof Dough, Convection Bake, Convection Broil, Convection Roast, Pizza, Multi Rack Genuine European Convection, Convection Conversion	Bake, Variable Broil (Hi & Low), Roast, Warm, Sabbath, Proof Dough, Convection Bake, Convection Broil, Convection Roast, Pizza, Multi Rack Genuine European Convection, Convection Conversion, Temperature Probe, Fast Preheat
Cleaning type	Self clean	Self clean	Self clean
Telescopic rack	0	0	1
Illumination type	Incandescent	Incandescent	Incandescent
Interior lights	1	30": 1; 27": 2	2
Oven Performance			
Bake / broil element wattages	2,400 / 3,800 W	2,400 / 3,800 W	2,400 / 3,800 W
Convection element wattages	N/A	2,000 W	2,000 W
Technical Details			
Watts (W)	6,275 W	6,325 W	6,325 W
Circuit breaker (A)	30 A	30 A	30 A
Volts (V)	240 / 208 V	240 / 208 V	240 / 208 V
Frequency (Hz)	60 Hz	60 Hz	60 Hz
Power cord length (in)	50"	50"	50"
Plug type	Fixed connection, no plug	Fixed connection, no plug	Fixed connection, no plug
Energy source	Electric	Electric	Electric
Dimensions & Weight			
Overall appliance dimensions (HxWxD) (in)	29" x 29 3/4" x 24 1/2"	30": 29" x 29 3/4" x 24 1/2" 27": 29" x 26 3/4" x 24 1/2"	30": 29" x 29 3/4" x 24 1/2" 27": 29" x 26 3/4" x 24 1/2"
Required cutout size (HxWxD) (in)	27" – 28 5/8" x 28 1/2" x 23 1/2"	30": 27" – 28 5/8" x 28 1/2" x 23 1/2" 27": 27" – 28 5/8" x 25 1/2" x 23 1/2"	30": 27" – 28 5/8" x 28 1/2" x 23 1/2" 27": 27" – 28 5/8" x 25 1/2" x 23 1/2"
Oven cavity size (cu. ft.)	4.6	30": 4.6; 27": 3.9	30": 4.6; 27": 3.9
Overall oven interior dimensions (HxWxD) (in)	17 13/16" x 24 1/8" x 18"	30": 17 13/16" x 24 1/8" x 18" 27": 17 13/16" x 21 1/16" x 18"	30": 17 13/16" x 24 1/8" x 18" 27": 17 13/16" x 21 1/16" x 18"
Usable oven interior dimensions (HxWxD) (in)	12 5/16" x 23 1/4" x 15 1/4"	30": 12 5/16" x 23 1/4" x 15 1/4" 27": 12 5/16" x 20 1/4" x 15 1/4"	30": 12 5/16" x 23 1/4" x 15 1/4" 27": 12 5/16" x 20 1/4" x 15 1/4"
Net weight (lbs)	149 lbs	27": 127 lbs; 30": 149 lbs	27": 127 lbs; 30": 149 lbs
Accessories – Included			
Included	2 Standard oven racks	2 Standard oven racks	1 Telescopic and 2 standard oven racks, temperature probe

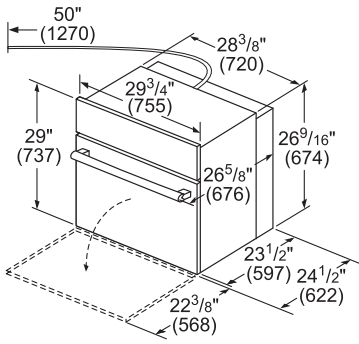
Optional Accessories for 30" Single Wall Ovens



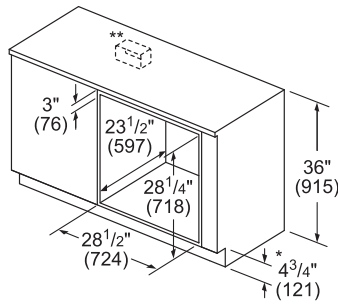
HEZTR301
30" Telescopic Rack

500 / 800 Series Single Ovens

30" Single Wall Oven



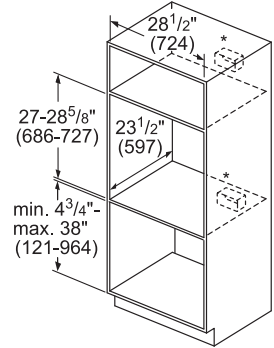
30" Single Oven Under-Counter Installation



* Includes ³/₄" (19) base plate

** For single ovens installed under a countertop, the junction box may be located to the left or right of the unit within reach of the power conduit.

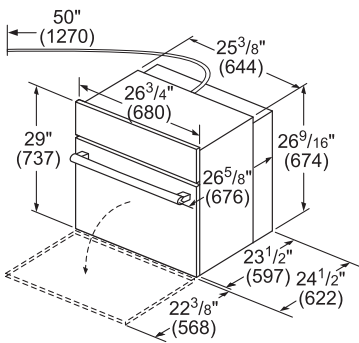
30" Single Oven Wall-Mounted Installation



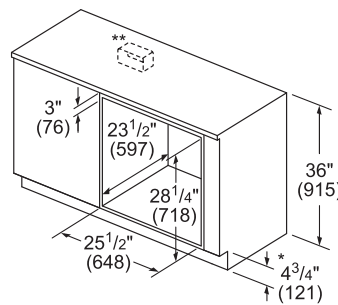
* For single ovens installed into a wall cabinet, the junction box may be located above or beneath the unit within reach of the power conduit.

measurements in inches (mm)

27" Single Wall Oven



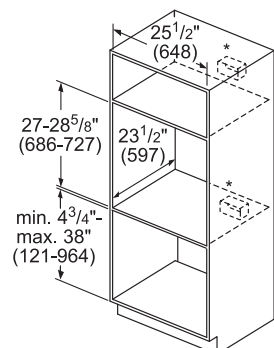
27" Single Oven Under-Counter Installation



* Includes ³/₄" (19) base plate

** For single ovens installed under a countertop, the junction box may be located to the left or right of the unit within reach of the power conduit.

27" Single Oven Wall-Mounted Installation

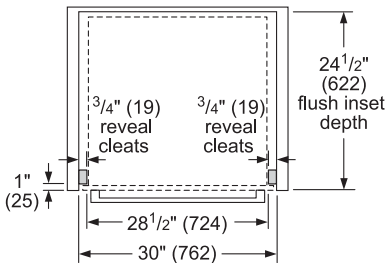


* For single ovens installed into a wall cabinet, the junction box may be located above or beneath the unit within reach of the power conduit.

measurements in inches (mm)

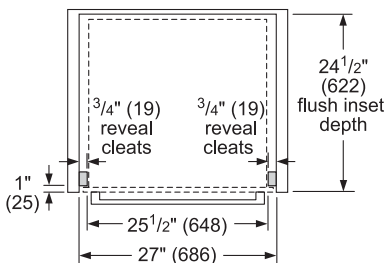
30" Single Wall Oven Flush Install

Top View



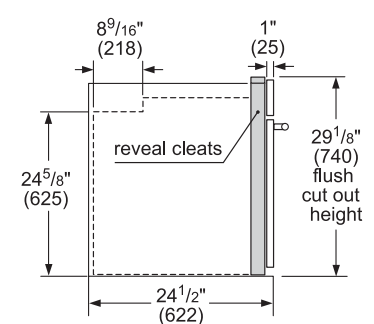
27" Single Wall Oven Flush Install

Top View



Single Wall Oven Flush Installation

Side View



Measurements in inches (mm)

NOTE: Bosch single wall ovens can be installed in combination with other Bosch cooking products. See pages 76–77 for details. Horizontal installation of a 27" oven next to a 27" speed oven with warming drawer is possible, but the speed oven and warming drawer require either two or one cutout with a shelf support in between.

Benchmark® Steam Convection Oven



30" Benchmark®
Steam Convection
HSLP451UC

- 1.4 cu. ft.
- Color TFT Control Panel
- Halogen Lights
- Chicken and Vegetable Program
- No Trim Kit Needed

30" Steam Convection

Stainless Steel – HSLP451UC

General Properties

Cooking modes	Steam, Steam Convection, European Convection, Reheat, Keep Warm, Defrost, Slow Cook, Proof, Dish Warming, 2 Chicken and 7 Vegetable Programs
Cleaning type	Steam clean
Illumination type	Halogen
Interior lights	1

Oven Performance

Steam element wattage	1,960 W
Convection element wattages	1,960 W

Technical Details

Watts (W)	1,960 W
Circuit breaker (A)	15 A
Volts (V)	240 / 208 V
Frequency (Hz)	60 Hz
Power cord length (in)	48"
Plug type	Fixed connection, no plug
Energy source	Electric
Installation Type	Non-plumbed

Dimensions & Weight

Overall appliance dimensions (HxWxD) (in)	19 5/8" x 29 3/4" x 22 3/8"
Oven cavity size (cu. ft.)	1.4
Required cutout size (HxWxD) (in)	19 1/4" x 28 1/2" x 23 1/2"
Net weight (lbs)	70 lbs

Accessories – Included

Included	Wire rack, perforated cooking pan – full size, baking tray, perforated cooking pan – half size, cooking
----------	---

Optional Accessories



HEZ36D453
Cooking Pan – Full
Size, 1 5/8" Deep [Not
Included with Product]



HEZ36D452
Baking Tray –
Full Size, 1 1/8" Deep



HEZ36DR4
Wire Rack For Steam
And Convection Oven



HEZ36D453G
Perforated Cooking
Pan – Full Size,
1 5/8" Deep



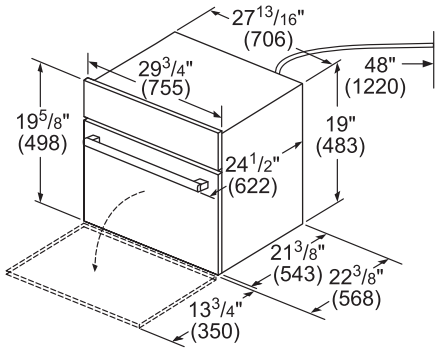
HEZ36D153G
Perforated Cooking
Pan – Half Size,
1 5/8" Deep



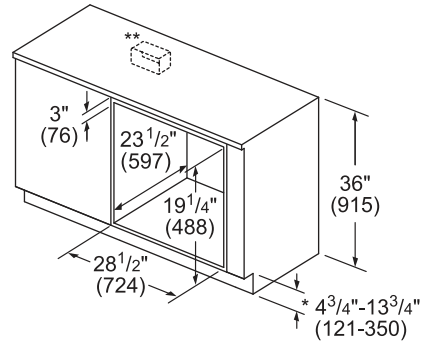
HEZ36D153
Cooking Pan –
Half Size, 1 5/8" Deep

Benchmark® Steam Convection Oven

Product Dimensions



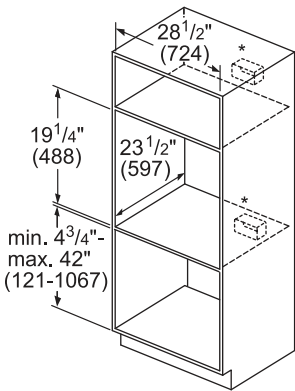
Under-Counter Installation



* Includes 3/4" (19) base plate

** Receptacle may be located to the left or right of the unit within reach of the power cord.

Wall Mounted Installation

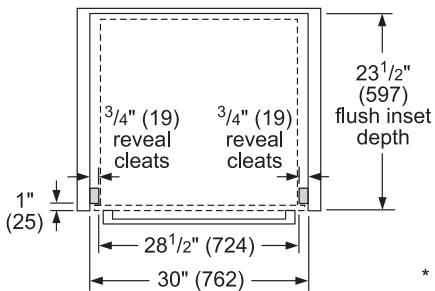


* Receptacle may be located above or beneath the unit within reach of the power cord.

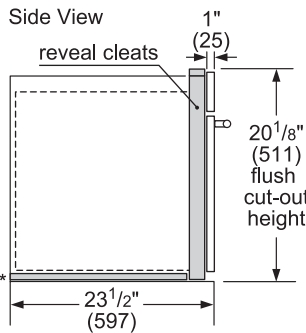
measurements in inches (mm)

Flush Installation

Top View



Side View



* Flush installation requires a 5/16" (8 mm) high x 28 1/2" (724 mm) wide x 22 1/2" (571 mm) deep baseplate underneath the unit body.

Measurements in inches (mm)

NOTE: Bosch steam convection oven can be installed in combination with other Bosch cooking products. See page 71 for details.

Benchmark® Speed & Steam Combination Ovens



30" Benchmark®
Speed Combination Oven
HBLP752UC

- 240V Speed Oven (U)
- Color TFT Control Panel (U&L)
- Halogen Lights (U&L)
- AutoProbe (L)



30" Benchmark®
Steam Convection Combination Oven
HSLP751UC

- Steam Convection Oven (U)
- Color TFT Control Panel (L)
- Halogen Lights (U&L)
- AutoProbe (L)

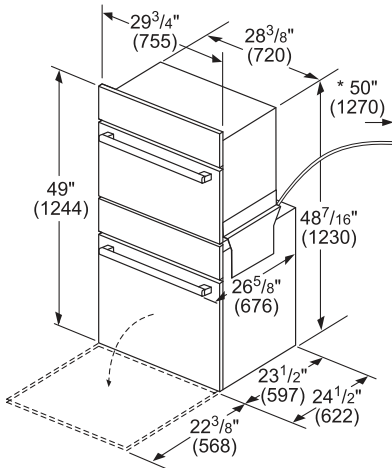
U=Upper; L=Lower

	30" Speed Combination	30" Steam Convection Combination
	Stainless Steel – HBLP752UC	Stainless Steel – HSLP751UC
General Properties		
Cooking modes – upper cavity	Microwave; 12 Auto Programs (Including Auto Defrost, Melt Butter, Soften Ice Cream, Pizza), 9 Sensor Cook Programs, 9 AutoChef® Speed Programs, Hi & Lo Broil, European Convection, Keep Warm, Frozen Foods	Steam, Steam Convection, European Convection, Reheat, Keep Warm, Defrost, Slow Cook, Proof, Dish Warming, 2 Chicken and 7 Vegetable Programs
Cooking modes – lower cavity	Bake, Variable Broil (Hi & Low), Roast, Warm, Sabbath, Proof Dough, Convection Bake, Convection Broil, Convection Roast, Pizza, Multi Rack Genuine European Convection, Convection Conversion, AutoProbe, Fast Preheat, EcoChef, Speed Convection (Frozen Foods)	Bake, Variable Broil (Hi & Low), Roast, Warm, Sabbath, Proof Dough, Convection Bake, Convection Broil, Convection Roast, Pizza, Multi Rack Genuine European Convection, Convection Conversion, AutoProbe, Fast Preheat, EcoChef, Speed Convection (Frozen Foods)
Cleaning type – lower cavity	Self clean	Self clean
Telescopic rack	1	1
Illumination type	Halogen (upper and lower)	Halogen (upper and lower)
Interior lights – upper / lower cavity	1 / 2	1 / 2
Oven Performance		
Microwave power – upper cavity	1000 W	N/A
Bake / broil element wattages – upper cavity	600 / 1,750 W	1,960 W*
Bake / broil element wattages – lower cavity	2,400 / 3,800 W	2,400 / 3,800 W
Convection element wattages – upper cavity / lower cavity	1,700 W / 2,000 W	1,960 W / 2,000 W
Technical Details		
Watts (W)	9,725 W	8,325 W
Circuit breaker (A)	40 A	40 A
Volts (V); Frequency (Hz)	240 / 208 V; 60 Hz	240 / 208 V; 60 Hz
Power cord length (in)	50"	50"
Plug type	Fixed connection, no plug	Fixed connection, no plug
Energy source	Electric	Electric
Installation Type	N/A	Non-plumbed
Dimensions & Weight		
Overall appliance dimensions (HxWxD)(in)	49" x 29 3/4" x 24 1/2"	49" x 29 3/4" x 24 1/2"
Required cutout size (HxWxD) (in)	48 5/8" x 28 1/2" x 23 1/2"	48 5/8" x 28 1/2" x 23 1/2"
Oven cavity size (cu. ft.)	4.6	4.6
Overall lower oven interior dimensions (HxWxD) (in)	17 13/16" x 24 1/8" x 18"	17 13/16" x 24 1/8" x 18"
Usable lower oven interior dimensions (HxWxD) (in)	12 5/16" x 23 1/4" x 15 1/4"	12 5/16" x 23 1/4" x 15 1/4"
Net weight (lbs)	259 lbs	219 lbs
Accessories – Included		
Included	Upper oven: metal turntable, square rack, ceramic cooking tray lower oven: 1 telescopic and 2 standard oven racks, temperature probe, broiler pan	Upper oven: wire rack, perforated cooking pan – full size, baking tray, perforated cooking pan – half size, cooking pan – half size lower oven: 1 telescopic and 2 standard oven racks, temperature probe, broiler pan

*Element below water reservoir that generates steam

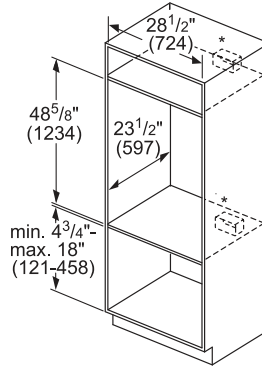
Benchmark® Speed & Steam Combination Ovens

Product Dimensions



* Power cable 50" (1270 mm) from the lower oven.

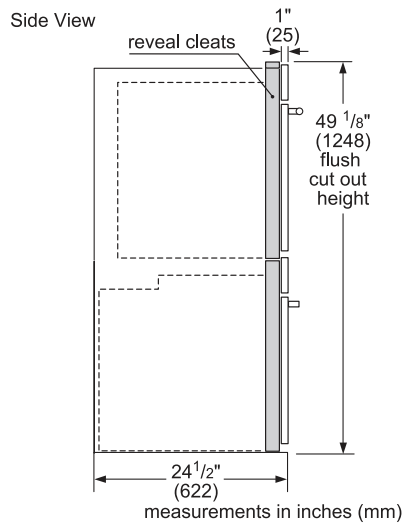
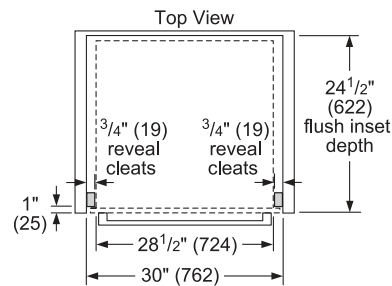
Cutout Dimensions



* Junction box may be installed above, below, or to the left or right of the unit within reach of the power cable

measurements in inches (mm)

Flush Installation



measurements in inches (mm)

NOTE: Bosch combination wall ovens can be installed in combination with other Bosch cooking products. See pages 71 and 74 for details.

Optional Accessories for Speed Combination Oven



HEZTR301
30" Telescopic Rack

Optional Accessories for Steam Convection Combination Oven



HEZ36D453
Cooking Pan - Full Size, 1 5/8" Deep [Not Included with Product]



HEZ36D452
Baking Tray - Full Size, 1 1/8" Deep



HEZ36DR4
Wire Rack For Steam And Convection Oven



HEZ36D453G
Perforated Cooking Pan - Full Size, 1 5/8" Deep



HEZ36D153G
Perforated Cooking Pan - Half Size, 1 5/8" Deep



HEZ36D153
Cooking Pan - Half Size, 1 5/8" Deep

500 / 800 Series Combination Ovens



30" 500 Series
HBL57M52UC

- 240V Speed Oven (U)
- 4.6 cu. ft. (L)
- European Convection (L)
- Stainless Steel Knobs (L)



30" 800 Series
HBL87M52UC

- 240V Speed Oven (U)
- 4.6 cu. ft. (L)
- + QuietClose® Door (L)
- + Extension Rack (L)
- + Meat Probe (L)



30" 800 Series
HBL8752UC

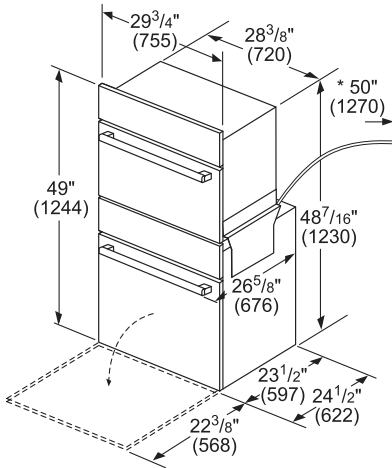
- 240V Speed Oven (U)
- 4.6 cu. ft. (L)
- + 12 Auto Programs (U)
- + 1000 W Microwave (U)
- + Halogen Lights (U&L)

+ Indicates a step-up feature
U=Upper; L=Lower

	500 Series	800 Series	800 Series
	Stainless Steel – HBL57M52UC	Stainless Steel – HBL87M52UC	Stainless Steel – HBL8752UC
General Properties			
Cooking modes – upper cavity	Microwave; 10 Sensor Cooking Programs (Including Baked Potato, Sweet Potato, Fresh Vegetable, Frozen Vegetable, Ground Meat, Fish/Seafood, Brown Rice, White Rice, Frozen Entrées, Reheat), Popcorn, Beverage, Melt/Softens, Defrost	Microwave; 10 Sensor Cooking Programs (Including Baked Potato, Sweet Potato, Fresh Vegetable, Frozen Vegetable, Ground Meat, Fish/Seafood, Brown Rice, White Rice, Frozen Entrées, Reheat), Popcorn, Beverage, Melt/Softens, Defrost	Speed Oven; 12 Auto Programs (Including Auto Defrost, Melt Butter, Soften Ice Cream, Pizza), 9 Sensor Cook Programs, 9 SpeedChef™ Programs, Hi & Lo Broil, European Convection, Keep Warm, Frozen Foods
Cooking modes – lower cavity	Bake, Variable Broil (Hi & Low), Roast, Warm, Sabbath, Proof Dough, Convection Bake, Convection Broil, Convection Roast, Pizza, Multi Rack Genuine European Convection, Convection Conversion	Bake, Variable Broil (Hi & Low), Roast, Warm, Sabbath, Proof Dough, Convection Bake, Convection Broil, Convection Roast, Pizza, Multi Rack Genuine European Convection, Convection Conversion, Temperature Probe, Fast Preheat	Bake, Variable Broil (Hi & Low), Roast, Warm, Sabbath, Proof Dough, Convection Bake, Convection Broil, Convection Roast, Pizza, Multi Rack Genuine European Convection, Convection Conversion, Temperature Probe, Fast Preheat
Cleaning type – lower cavity	Self clean	Self clean	Self clean
Telescopic rack	0	1	1
Illumination type	Incandescent (upper and lower)	Incandescent (upper and lower)	Halogen (upper and lower)
Interior lights – upper / lower cavity	1 / 1	1 / 2	1 / 2
Oven Performance			
Microwave power – upper cavity	950 W	950 W	1000 W
Bake / broil element wattages – upper	N/A	N/A	600 / 1,750 W
Convection element wattages – upper	N/A	N/A	1,700 W
Bake / broil element wattages – lower	2,400 / 3,800 W	2,400 / 3,800 W	2,400 / 3,800 W
Convection element wattages – lower	2,000 W	2,000 W	2,000 W
Technical Details			
Watts (W)	9,600 W	9,600 W	9,600 W
Circuit breaker (A)	40 A	40 A	40 A
Volts (V); Frequency (Hz)	240 / 208 V; 60 Hz	240 / 208 V; 60 Hz	240 / 208 V; 60 Hz
Power cord length (in)	50"	50"	50"
Plug type	120 V, 3-prong receptacle	120 V, 3-prong receptacle	Hardwired 240 V
Energy source	Electric	Electric	Electric
Dimensions & Weight			
Overall appliance dimensions (HxWxD) (in)	49" x 29 3/4" x 24 1/2"	49" x 29 3/4" x 24 1/2"	49" x 29 3/4" x 24 1/2"
Required cutout size(HxWxD) (in)	48 5/8" x 28 1/2" x 23 1/2"	48 5/8" x 28 1/2" x 23 1/2"	48 5/8" x 28 1/2" x 23 1/2"
Overall upper oven interior dimensions (HxWxD) (in.)	9 7/8" x 16 1/2" x 16 1/2"	9 7/8" x 16 1/2" x 16 1/2"	9 7/8" x 16 1/2" x 16 1/2"
Turntable – glass max. cookware	14 1/8" dia.	14 1/8" dia.	N/A
Turntable – metal max. cookware	N/A	N/A	12 3/4" dia.
Turntable – ceramic max. cookware	N/A	N/A	12 1/2" dia.
Rack – rectangular cookware max.	N/A	N/A	15" x 12"
Oven cavity size – lower cavity (cu. ft.)	4.6	4.6	4.6
Overall lower oven interior dimensions (HxWxD) (in)	17 13/16" x 24 1/8" x 18"	17 13/16" x 24 1/8" x 18"	17 13/16" x 24 1/8" x 18"
Usable lower oven interior dimensions (HxWxD) (in)	12 5/16" x 23 1/4" x 15 1/4"	12 5/16" x 23 1/4" x 15 1/4"	12 5/16" x 23 1/4" x 15 1/4"
Net weight (lbs)	259 lbs	259 lbs	259 lbs

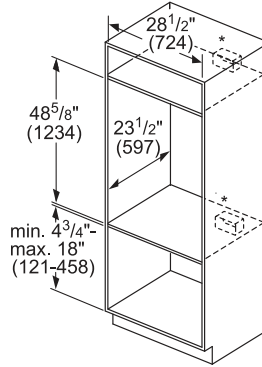
500 / 800 Series Combination Ovens

Product Dimensions



* Power cable 50" (1270 mm) from the lower oven.

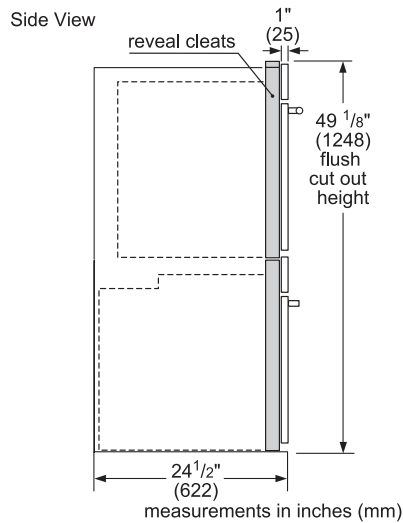
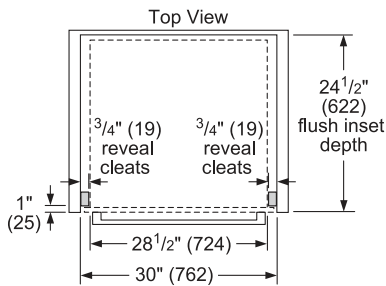
Cutout Dimensions



* Junction box may be installed above, below, or to the left or right of the unit within reach of the power cable

measurements in inches (mm)

Flush Installation



measurements in inches (mm)

NOTE: Bosch combination wall ovens can be installed in combination with other Bosch cooking products. See pages 76 and 79 for details.

Accessories – Included	500 Series	800 Series
Included	Upper oven: metal turntable, square rack, ceramic cooking tray lower oven: 2 standard oven racks	Upper oven: metal turntable, square rack, ceramic cooking tray lower oven: 1 telescopic and 2 standard oven racks, meat probe

Optional Accessories



HEZTR301
30" Telescopic Rack

Benchmark® Double Ovens



Standard Opening Door
HBLP651UC



SideOpening Left Swing Door
HBLP651LUC



SideOpening Right Swing Door
HBLP651RUC

30" Benchmark® Double Ovens

- European Convection (U&L)
- Color TFT Control Panel (U)
- Halogen Lights (U&L)
- AutoProbe (U)

U=Upper; L=Lower

30" Benchmark®

Standard Opening Stainless Steel – HBLP651UC
SideOpening Left Swing Stainless Steel – HBLP651LUC
SideOpening Right Swing Stainless Steel – HBLP651RUC

General Properties	
Cooking modes – upper cavity	Bake, Variable Broil (Hi & Low), Roast, Warm, Sabbath, Proof Dough, Convection Bake, Convection Broil, Convection Roast, Pizza, Multi Rack Genuine European Convection, Convection Conversion, AutoProbe, Fast Preheat, EcoChef, Speed Convection (Frozen Foods)
Cooking modes – lower cavity	Identical to upper cavity (exception: lower cavity does not feature temperature probe and EcoChef)
Cleaning type – upper cavity	Self clean
Cleaning type – lower cavity	Self clean
Telescopic rack	1
Illumination type – upper / lower cavity	Halogen
Interior lights – upper cavity	2
Interior lights – lower cavity	2
Oven Performance	
Bake / broil element wattages – upper cavity	2,400 / 3,800 W
Convection element wattages – upper cavity	2,000 W
Bake / broil element wattages – lower cavity	2,400 / 3,800 W
Convection element wattages – lower cavity	2,000 W
Technical Details	
Watts (W)	9,125 W
Circuit breaker (A)	40 A
Volts (V)	240 / 208 V
Frequency (Hz)	60 Hz
Power cord length (in)	50"
Plug type	Fixed connection, no plug
Energy source	Electric
Dimensions & Weight	
Overall appliance dimensions (HxWxD) (in)	52 1/16" x 29 3/4" x 24 1/2"
Required cutout size (HxWxD) (in)	49 3/4" – 51 1/2" x 28 1/2" x 23 1/2"
Oven cavity size – lower cavity (cu. ft.)	4.6
Overall oven interior dimensions (HxWxD) (in)	17 13/16" x 24 1/8" x 18"
Usable oven interior dimensions (HxWxD) (in)	12 5/16" x 23 1/4" x 15 1/4"
Net weight (lbs)	261 lbs
Accessories – Included	
Included	Upper oven: 1 telescopic and 2 standard oven racks, temperature probe, broiler pan lower oven: 3 standard oven racks

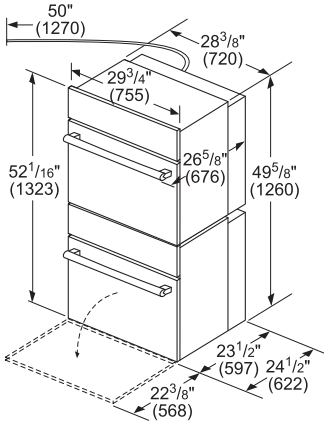
Optional Accessories



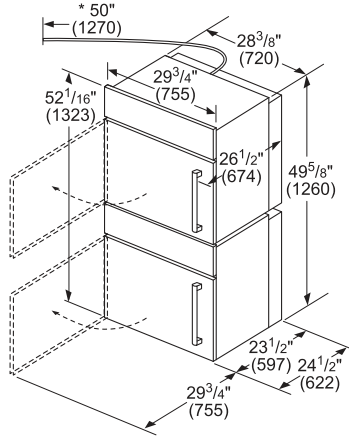
HEZTR301
30" Telescopic Rack

Benchmark® Double Ovens

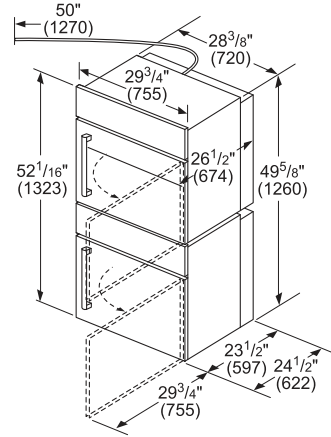
30" Double Wall Oven



30" SideOpening Left Swing Door



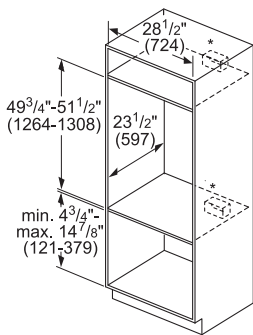
30" SideOpening Right Swing Door



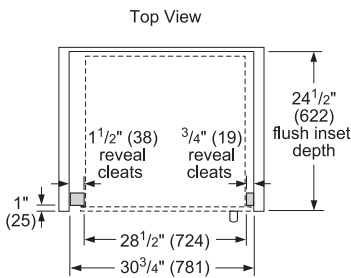
** Allow 3/4" (19 mm) gap to nearest cabinet face for door swing on SideOpening models

** Allow 3/4" (19 mm) gap to nearest cabinet face for door swing on SideOpening models

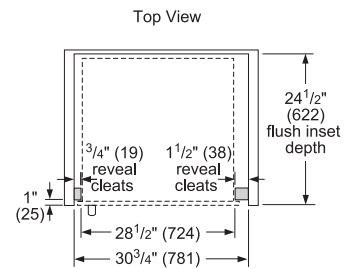
All 30" Double Wall Ovens



30" SideOpening Left Swing Door Flush Installation



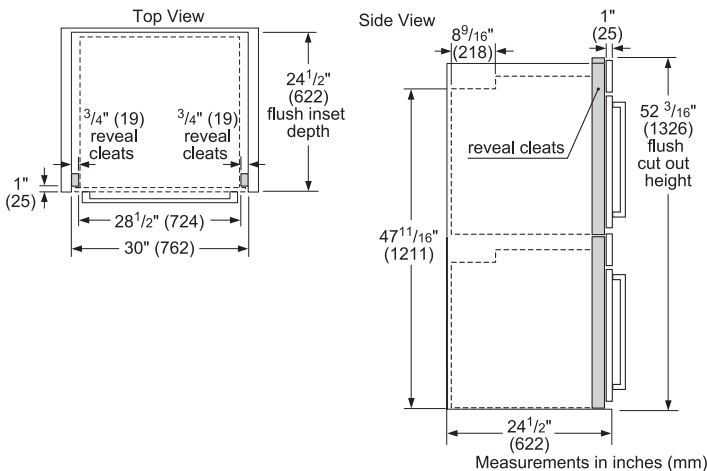
30" SideOpening Right Swing Door Flush Installation



* Junction box may be installed above, below, or to the left or right of the unit within range of the power conduit.

measurements in inches (mm)

30" Double Wall Oven Flush Installation



NOTE: Bosch double wall ovens can be installed in combination with other Bosch cooking products. See pages 71 and 74 for details.

500 / 800 Series Double Ovens



30" 500 Series
HBL5551UC

- 4.6 cu. ft.
- Thermal Cooking (U&L)
- Stainless Steel Knobs



500 Series
30" HBL5651UC
27" HBN5651UC

- 4.6 cu. ft.
- + European Convection (U), Thermal Cooking (L)

27"



800 Series
30" HBL8651UC
30" HBL8661UC
27" HBN8651UC

- 4.6 cu. ft.
- European Convection (U), Thermal Cooking (L)
- + QuietClose® Door (U&L)
- + Extension Rack (U)
- + Meat Probe (U)

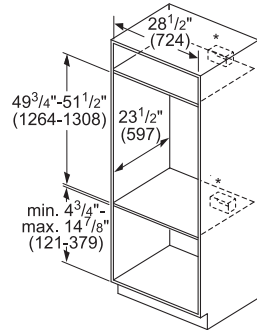
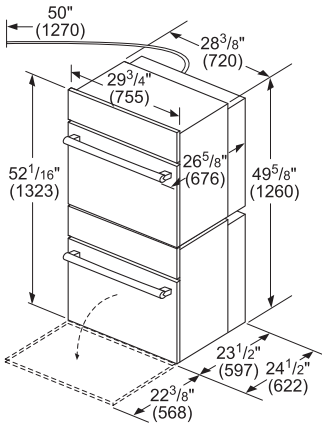
Black
27"

+ Indicates a step-up feature
U=Upper; L=Lower

	500 Series	500 Series	800 Series
	30" Stainless Steel – HBL5551UC	30" Stainless Steel – HBL5651UC 27" Stainless Steel – HBN5651UC	30" Stainless Steel – HBL8651UC 30" Black – HBL8661UC 27" Stainless Steel – HBN8651UC
General Properties			
Cooking modes – upper cavity	Bake, Variable Broil (Hi & Low), Roast, Warm, Sabbath	Bake, Variable Broil (Hi & Low), Roast, Warm, Sabbath, Proof Dough, Convection Bake, Convection Broil, Convection Roast, Pizza, Multi Rack Genuine European Convection, Convection Conversion	Bake, Variable Broil (Hi & Low), Roast, Warm, Sabbath, Proof Dough, Convection Bake, Convection Broil, Convection Roast, Pizza, Multi Rack Genuine European Convection, Convection Conversion, Temperature Probe, Fast Preheat
Cooking modes – lower cavity	Bake, Variable Broil (Hi & Low), Roast, Warm, Sabbath	Bake, Variable Broil (Hi & Low), Roast, Warm, Sabbath	Bake, Variable Broil (Hi & Low), Roast, Warm, Sabbath
Cleaning type – upper & lower cavity	Self clean	Self clean	Self clean
Telescopic rack	0	0	1
Illumination type – upper & lower cavity	Incandescent	Incandescent	Incandescent
Interior lights – upper cavity	1	30": 1; 27": 2	2
Interior lights – lower cavity	1	30": 1; 27": 2	30": 1; 27": 2
Oven Performance			
Bake / Broil element wattages – upper & lower cavity	2,400 / 3,800 W	2,400 / 3,800 W	2,400 / 3,800 W
Convection element wattages – upper cavity	N/A	2,000 W	2,000 W
Technical Details			
Watts (W)	7,805 W	30": 8,455 W; 27": 8,535 W	30": 8,495 W; 27": 8,535 W
Volts (V), Frequency (Hz), Circuit breaker (A)	240 / 208 V, 60 Hz, 40 A	240 / 208 V, 60 Hz, 40 A	240 / 208 V, 60 Hz, 40 A
Power cord length (in); Plug type	50"; Fixed connection, no plug	50"; Fixed connection, no plug	50"; Fixed connection, no plug
Energy source	Electric	Electric	Electric
Dimensions & Weight			
Overall appliance dimensions (HxWxD) (in)	52 1/16" x 29 3/4" x 24 1/2"	30": 52 1/16" x 29 3/4" x 24 1/2" 27": 52 1/16" x 26 3/4" x 24 1/2"	30": 52 1/16" x 29 3/4" x 24 1/2" 27": 52 1/16" x 26 3/4" x 24 1/2"
Required cutout size (HxWxD) (in)	49 3/4" – 51 1/2" x 28 1/2" x 23 1/2"	30": 49 3/4"–51 1/2" x 28 1/2" x 23 1/2" 27": 49 3/4"–51 1/2" x 25 1/2" x 23 1/2"	30": 49 3/4"–51 1/2" x 28 1/2" x 23 1/2" 27": 49 3/4"–51 1/2" x 25 1/2" x 23 1/2"
Oven cavity size (cu. ft.)	4.6	30": 4.6; 27": 3.9	30": 4.6; 27": 3.9
Overall oven interior dimensions (HxWxD) (in)	17 13/16" x 24 1/8" x 18"	30": 17 13/16" x 24 1/8" x 18" 27": 17 13/16" x 21 1/16" x 18"	30": 17 13/16" x 24 1/8" x 18" 27": 17 13/16" x 21 1/16" x 18"
Usable oven interior dimensions (HxWxD) (in)	12 5/16" x 23 1/4" x 15 1/4"	30": 12 5/16" x 23 1/4" x 15 1/4" 27": 12 5/16" x 20 1/4" x 15 1/4"	30": 12 5/16" x 23 1/4" x 15 1/4" 27": 12 5/16" x 20 1/4" x 15 1/4"
Net weight (lbs)	261 lbs	30": 261 lbs; 27": 243 lbs	30": 261 lbs; 27": 243 lbs
Accessories – Included			
	Upper oven: 2 standard oven racks lower oven: 2 standard oven racks	Upper oven: 2 standard oven racks lower oven: 2 standard oven racks	Upper oven: 1 telescopic and 2 standard oven racks, temperature probe lower oven: 2 standard oven racks

500 / 800 Series Double Ovens

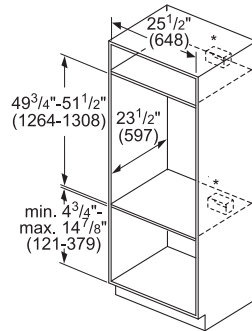
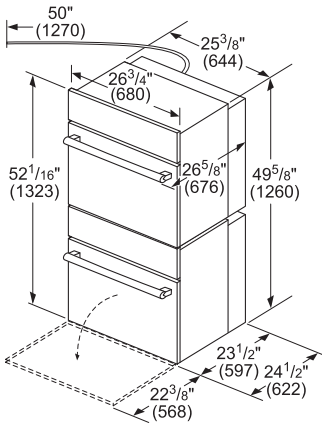
30" Double Wall Oven



* Junction box may be installed above, below, or to the left or right of the unit within range of the power conduit.

measurements in inches (mm)

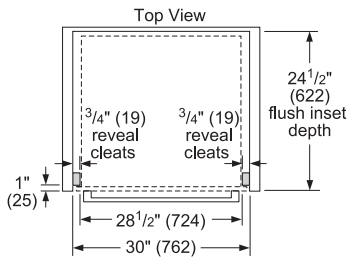
27" Double Wall Oven



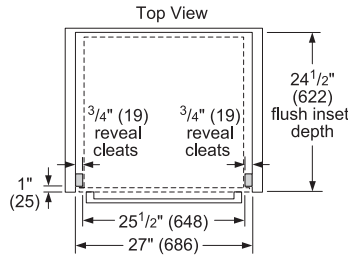
* Junction box may be installed above, below, or to the left or right of the unit within range of the power conduit.

measurements in inches (mm)

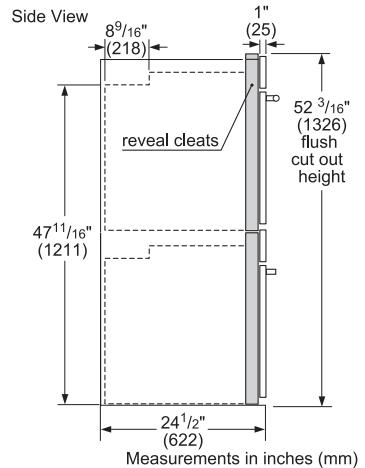
30" Double Wall Oven Flush Install



27" Single Wall Oven Flush Install



Double Wall Oven Flush Installation



NOTE: Bosch double wall ovens can be installed in combination with other Bosch cooking products. See pages 71 and 74 for details.

Optional Accessories for 30" Double Wall Ovens



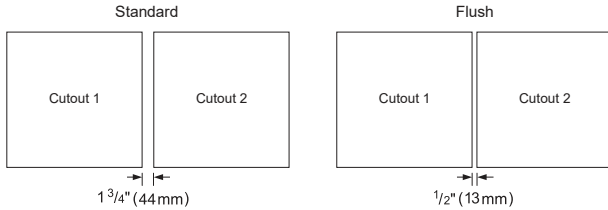
HEZTR301
30" Telescopic Rack

Guide to Installing Bosch Wall Ovens with Other Products



Benchmark® Wall Ovens (All Models)

Side-by-Side Installation.



SideOpening Door Models: If another product is installed adjacent to the side hinge we recommend to increase each distance by an additional 1/4" (6mm) to leave room for the door to open and close freely.

The ovens will overlap the cutout resulting in a 1/2" (13mm) spacing between the products

IMPORTANT: The spacing between cutouts applies when installing any Bosch 30" or 27" single, double, combination and 27"/30" compact oven in a side-by-side installation.

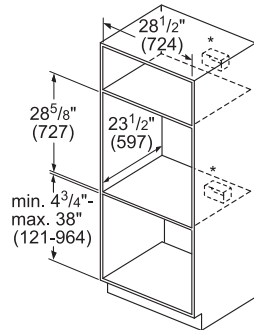
NOTE: Horizontal installation of a 27" oven next to a 27" speed oven with warming drawer is possible, but the speed oven and warming drawer require either two cutouts or one cutout with a shelf support in between.

Benchmark® Steam Convection Oven

Installed in combination with other products.

Standard Installation

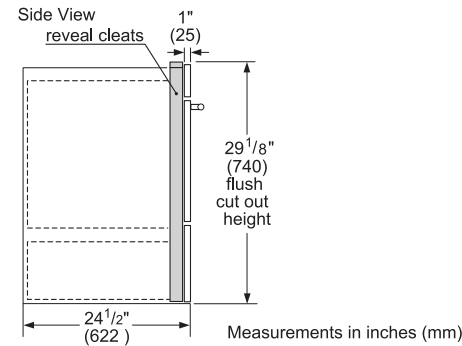
30" Steam Convection Oven over Storage or Warming Drawer



* For installation into a wall cabinet, the receptacle may be installed above, below, or to the left or right of the unit within range of the power cord.

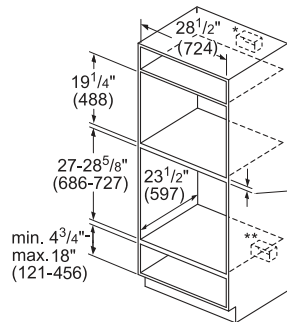
Flush Installation

Steam Convection Oven over Storage or Warming Drawer



Standard Installation

30" Steam Convection Oven over Single Oven***



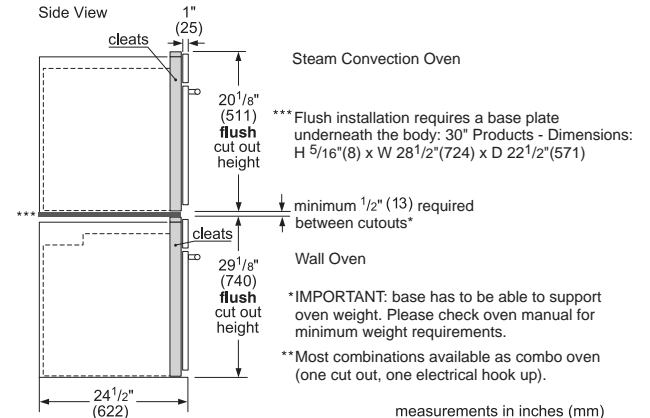
*Junction box may be located above or next to the unit within the reach of the power cord.
 **Junction box may be located below (depending on space) or next to the unit within the reach of the power cord.
 ***Most combinations available as combo oven (one cut out, one electrical hook up).
 Minimum dimension between cut outs:
 • 1" (25mm) for wall oven cut out of 28 5/8"
 • 2 5/8" (67mm) for wall oven cut out of 27"

measurements in inches (mm)

NOTE: This configuration is available as a combo oven (one cut out, one electrical hook up) – HSLP751UC

Flush Installation

Steam Convection Oven over Single Oven**



*** Flush installation requires a base plate underneath the body: 30" Products - Dimensions: H 5 5/16"(8) x W 28 1/2"(724) x D 22 1/2"(571)
 **IMPORTANT: base has to be able to support oven weight. Please check oven manual for minimum weight requirements.
 **Most combinations available as combo oven (one cut out, one electrical hook up).

measurements in inches (mm)

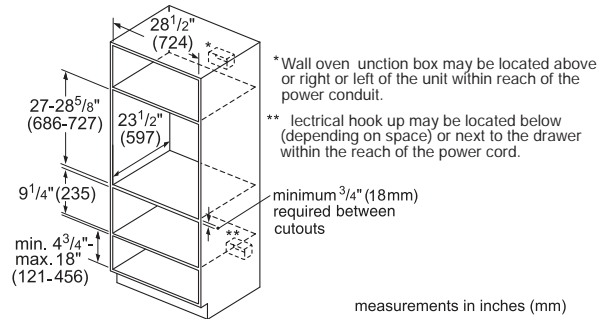
NOTE: This configuration available as a combo oven. See Note at left for details.

Benchmark® Single Wall Ovens

Installed in combination with other products.

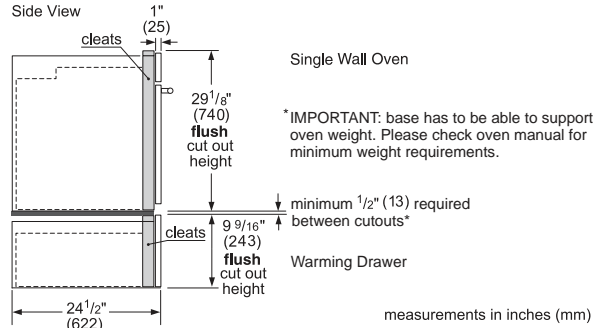
Standard Installation

30" Single Oven over Storage or Warming Drawer



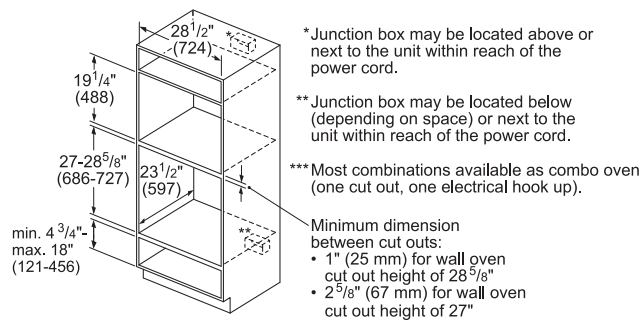
Flush Installation

Single Oven over Storage or Warming Drawer



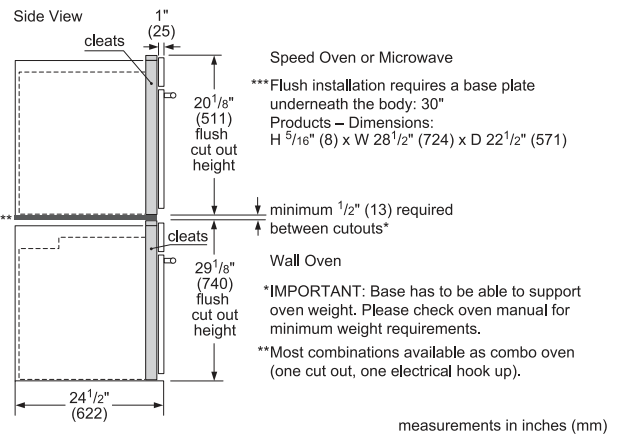
Standard Installation

30" Speed Oven or Microwave over Single Oven***



Flush Installation

Speed Oven or Microwave over 30" Single Oven**

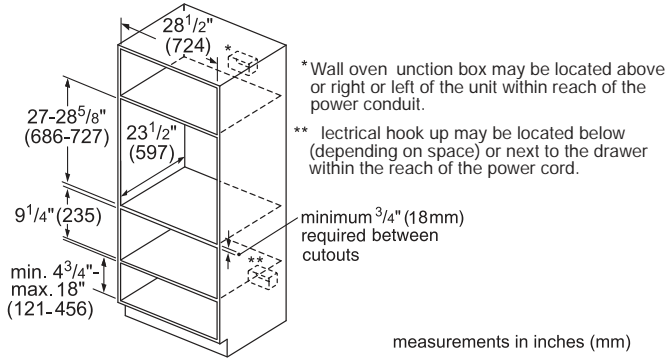


Benchmark® Single Wall Ovens SideOpening Door

Installed in combination with other products.

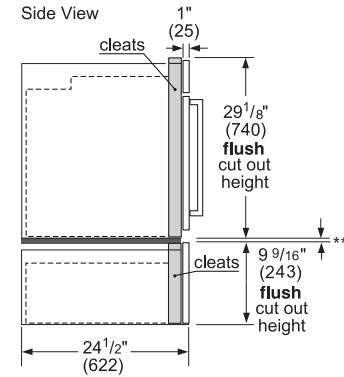
Standard Installation

30" Single Oven over Storage or Warming Drawer



Flush Installation

Single Oven over Storage or Warming Drawer



* IMPORTANT: base has to be able to support oven weight. Please check oven manual for minimum weight requirements.

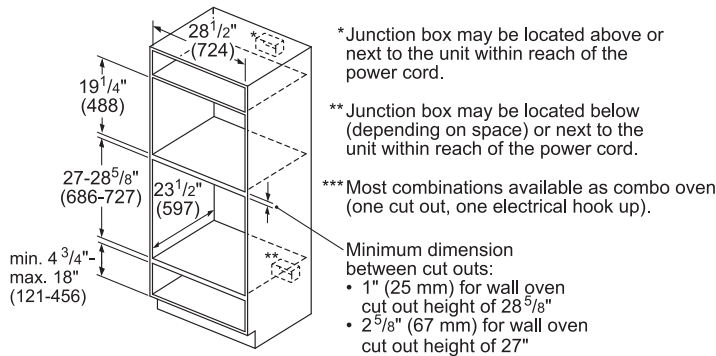
** minimum $\frac{1}{2}$ " (13) required between cutouts*

Warming Drawer

measurements in inches (mm)

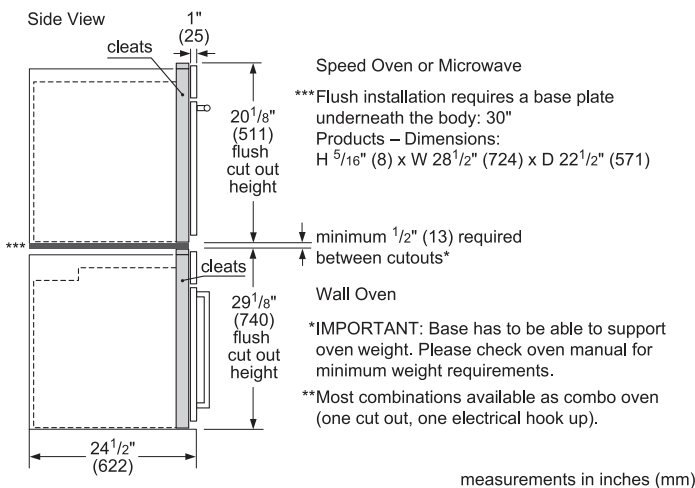
Standard Installation

30" Speed Oven or Microwave over Single Oven***



Flush Installation

Speed Oven or Microwave over 30" Single Oven**

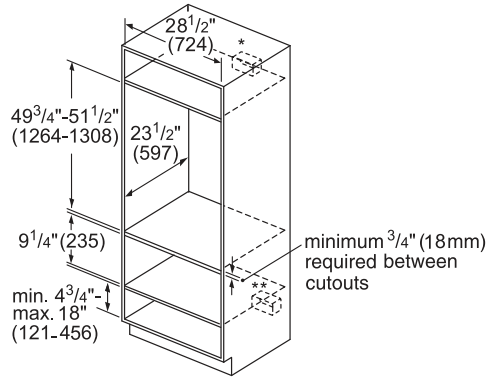


Benchmark® Double Wall Ovens

Installed in combination with other products.

Standard Installation

30" Double Oven over Storage or Warming Drawer



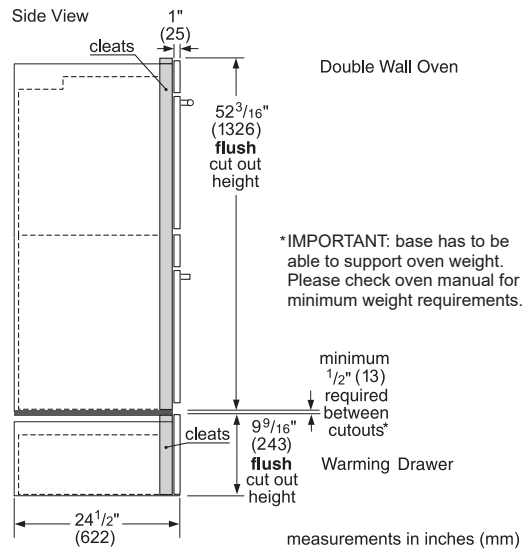
measurements in inches (mm)

* Wall oven junction box may be located above or right or left of the unit within reach of the power conduit.

** Electrical hook up may be located below (depending on space) or next to the drawer within the reach of the power cord.

Flush Installation

Double Oven over Storage or Warming Drawer



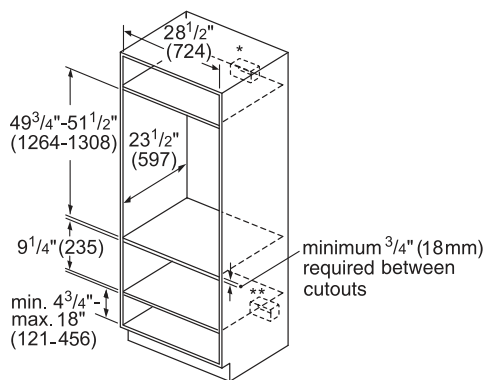
Benchmark® Double Wall Ovens

SideOpening Door

Installed in combination with other products.

Standard Installation

30" Double Oven over Storage or Warming Drawer



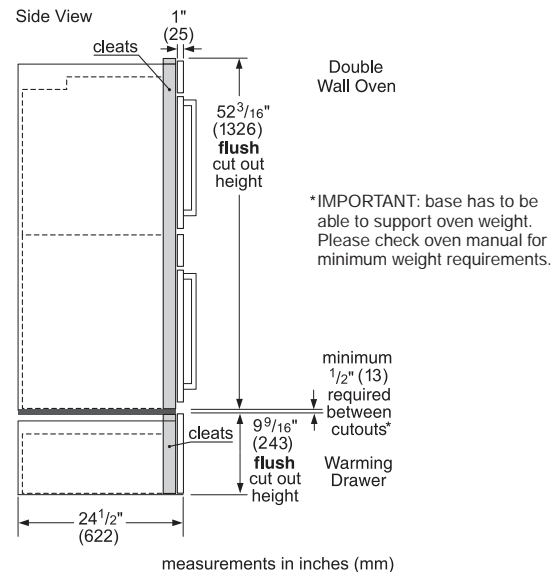
measurements in inches (mm)

* Wall oven junction box may be located above or right or left of the unit within reach of the power conduit.

** Electrical hook up may be located below (depending on space) or next to the drawer within the reach of the power cord.

Flush Installation

Double Oven over Storage or Warming Drawer

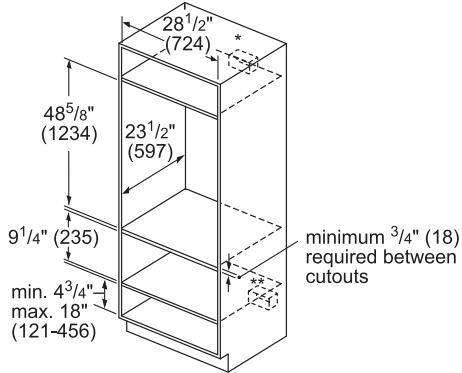


Benchmark® Combination Ovens

Installed in combination with other products.

Standard Installation

Combination Oven over Storage or Warming Drawer



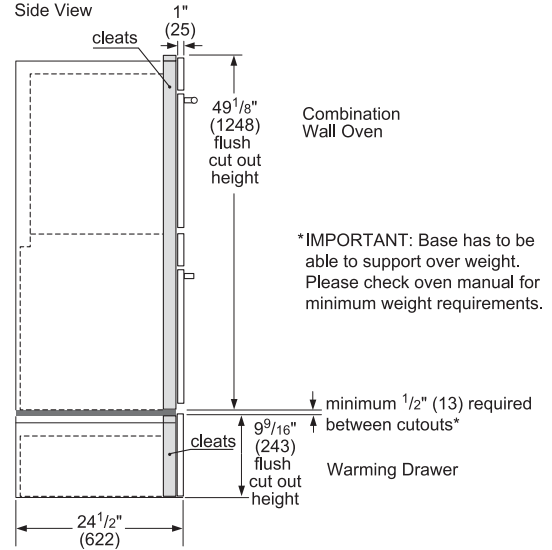
* Wall oven junction box may be located above or right or left of the unit within reach of the power conduit.

** Electrical hook up may be located below (depending on space) or next to the drawer within the reach of the power cord.

Measurements in inches (mm)

Flush Installation

Combination Oven over Storage or Warming Drawer

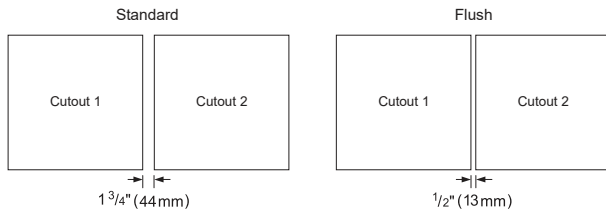


* IMPORTANT: Base has to be able to support over weight. Please check oven manual for minimum weight requirements.

Measurements in inches (mm)

500 / 800 Series Wall Ovens (All Models)

Side-by-Side Installation.



SideOpening Door Models: If another product is installed adjacent to the side hinge we recommend to increase each distance by an additional 1/4" (6mm) to leave room for the door to open and close freely.

NOTE: Horizontal installation of a 27" oven next to a 27" speed oven with warming drawer is possible, but the speed oven and warming drawer require either two cutouts or one cutout with a shelf support in between.

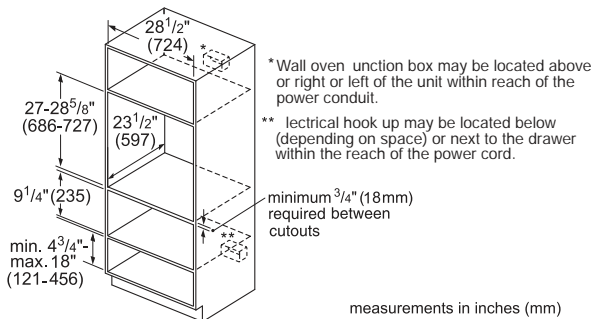
The ovens will overlap the cutout resulting in a 1/2" (13mm) spacing between the products

IMPORTANT: The spacing between cutouts applies when installing any Bosch 30" or 27" single, double, combination and 27"/30" compact oven in a side-by-side installation.

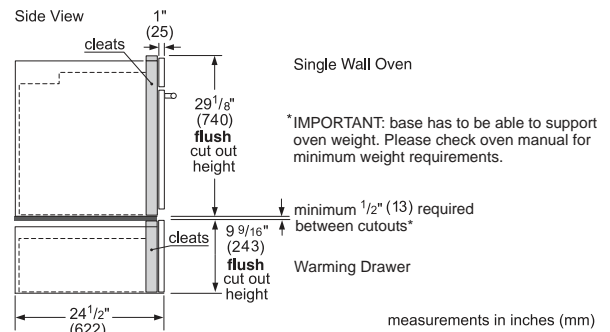
500 / 800 Series 30" Single Wall Ovens

Installed in combination with other products.

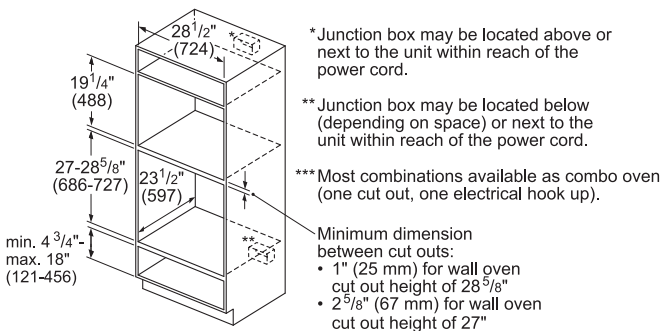
Standard Installation 30" Single Oven over Storage or Warming Drawer



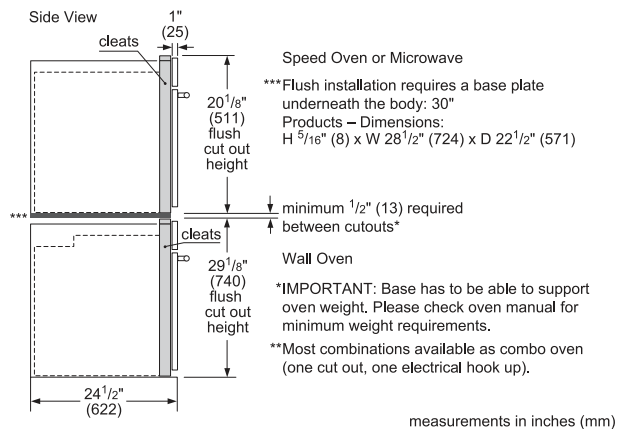
Flush Installation Single Oven over Storage or Warming Drawer



Standard Installation 30" Speed Oven or Microwave over Single Oven***



Flush Installation Speed Oven or Microwave over 30" Single Oven**



NOTE: This configuration is available as a combo oven (one cut out, one electrical hook up) – HBL57M52UC (500 series), HBL8752UC (800 series) and HBL87M52UC (800 series)

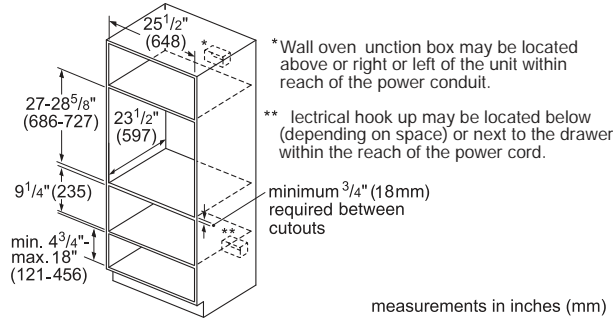
NOTE: This configuration available as a combo oven. See Note at left for details.

500 / 800 Series 27" Single Wall Ovens

Installed in combination with other products.

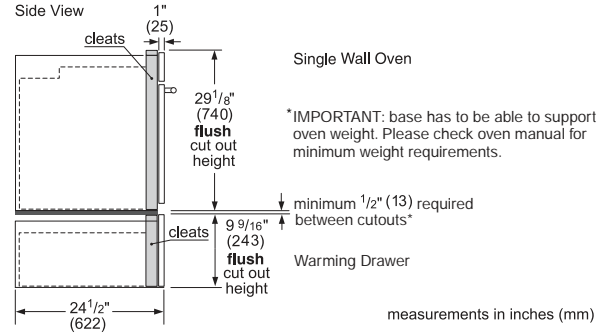
Standard Installation

27" Single Oven over Warming Drawer



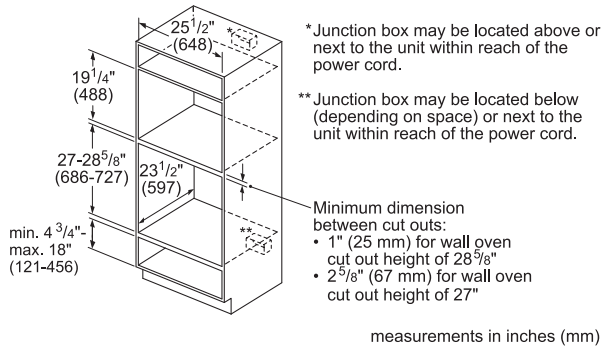
Flush Installation

Single Oven over Warming Drawer



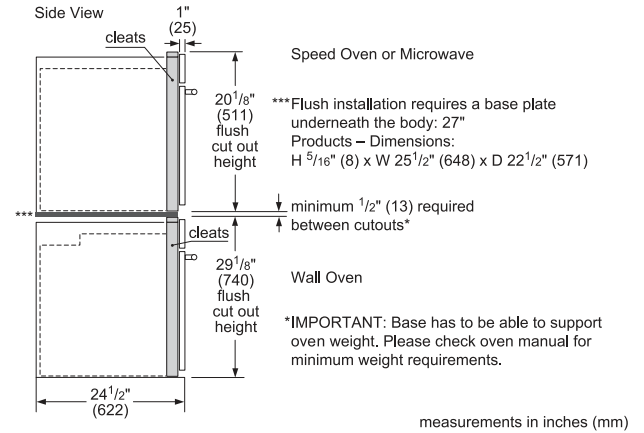
Standard Installation

27" Speed Oven or Microwave over Single Oven



Flush Installation

Speed Oven or Microwave over 27" Single Oven

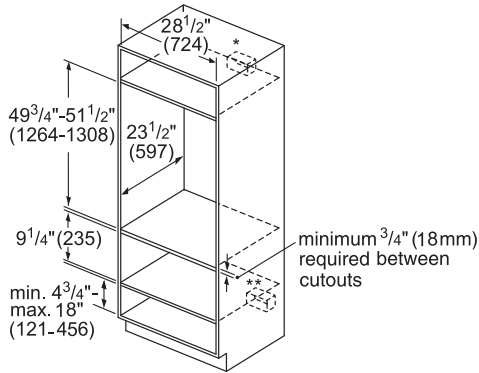


500 / 800 Series 30" Double Wall Ovens

Installed in combination with other products.

Standard Installation

30" Double Oven over Storage or Warming Drawer



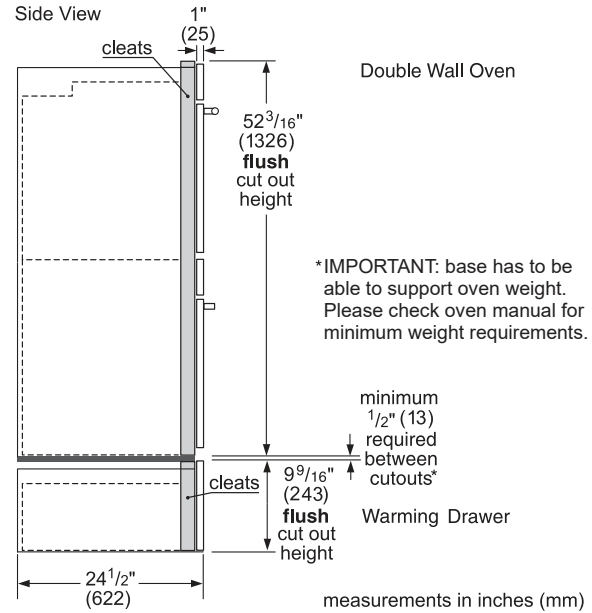
measurements in inches (mm)

* Wall oven junction box may be located above or right or left of the unit within reach of the power conduit.

** Electrical hook up may be located below (depending on space) or next to the drawer within the reach of the power cord.

Flush Installation

Double Oven over Storage or Warming Drawer



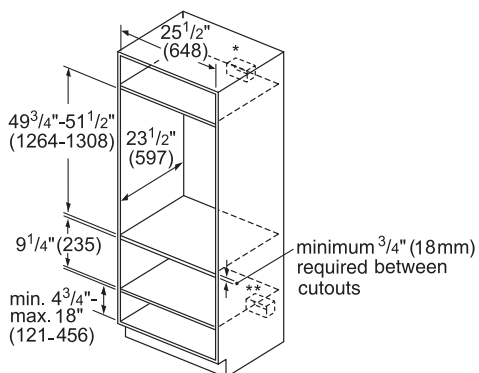
measurements in inches (mm)

500 / 800 Series 27" Double Wall Ovens

Installed in combination with other products.

Standard Installation

27" Double Oven over Warming Drawer



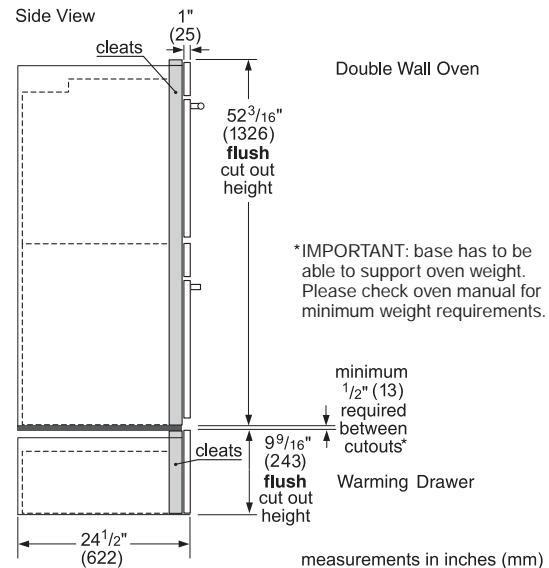
measurements in inches (mm)

* Wall oven junction box may be located above or right or left of the unit within reach of the power conduit.

** Electrical hook up may be located below (depending on space) or next to the drawer within the reach of the power cord.

Flush Installation

Double Oven over Warming Drawer



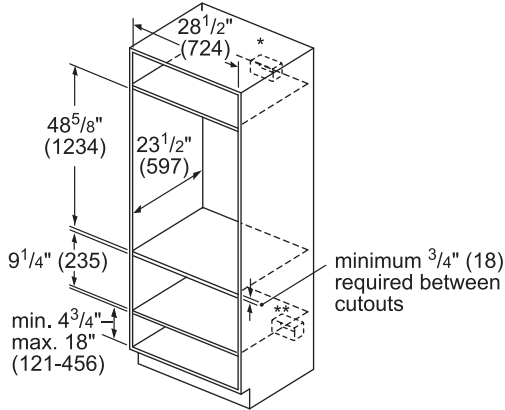
measurements in inches (mm)

500 / 800 Speed Combination Ovens

Installed in combination with other products.

Standard Installation

Combination Oven over Storage or Warming Drawer



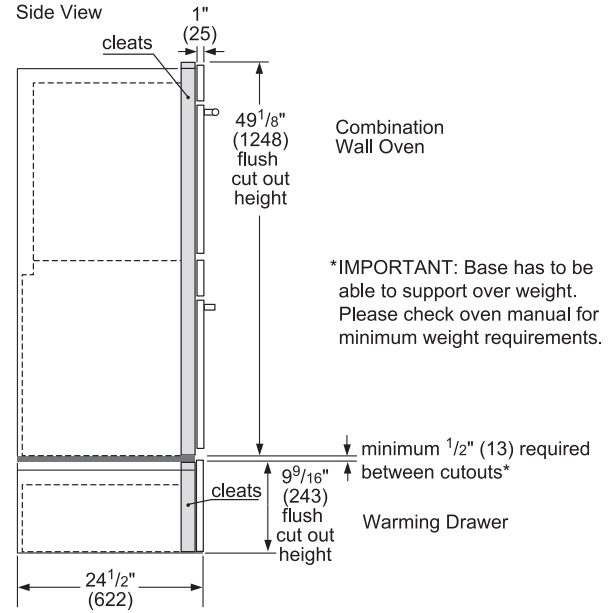
* Wall oven junction box may be located above or right or left of the unit within reach of the power conduit.

** Electrical hook up may be located below (depending on space) or next to the drawer within the reach of the power cord.

Measurements in inches (mm)

Flush Installation

Combination Oven over Storage or Warming Drawer



Measurements in inches (mm)



Microwaves & Drawers

Bosch microwaves simplify snack and mealtime by making it easier than ever to prepare foods at the touch of a button. Built in, over-the-range or in a discreet drawer style, Bosch microwaves have automatic sensors to remove the guesswork from cooking and reheating. Our speed ovens combine convection and microwave technology to get meals on the table faster—freeing up more time for other things. The Bosch 27" or 30" speed ovens can be combined with a warming drawer or storage drawer to align horizontally with our single wall oven. With speed, intuitive controls, large capacities and a clean aesthetic, Bosch microwaves and speed ovens lend a trusted hand in the kitchen when fitting cooking into your busy day.





Benchmark® Microwaves

Speed oven



Microwave plus convection

Our 2-in-1 microwave and convection speed oven has 12 microwave programs, 9 AutoChef® speed programs and SpeedChef™ that offers faster cooking times.



Built-in design

Designed to fit perfectly above a warming or storage drawer.

Over-the-range microwave



Even cooking

Triple distribution system provides more even cooking.



Over-the-range design

Designed to fit conveniently over a slide-in range.

Benchmark® Speed Oven



30" Benchmark®
HMCP0252UC

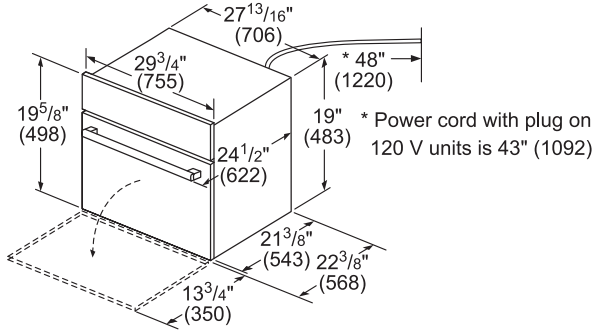
- 1.6 cu. ft.
- European Convection, Broil, Microwave
- SpeedChef™ Cooking Modes Offer Faster Cooking Times
- TFT Display
- 240v, Direct Wire

NOTE: Bosch speed ovens can be installed in combination with other Bosch cooking products. See pages 71–73 for details.

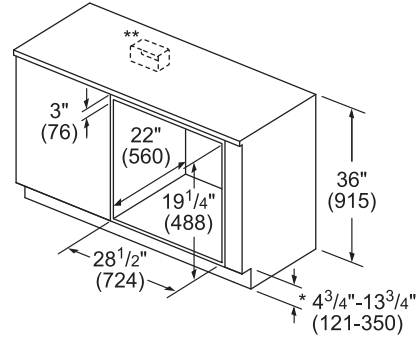
Benchmark®	
Stainless Steel – HMCP0252UC	
General Properties	
Cavity material	Stainless steel
Max. microwave power (W)	1,000 W
Capacity	
Cavity capacity (cu. ft.)	1.6
Turntable diameter (in.)	14 1/8"
Technical Details	
Watts (W)	3,840 W
Circuit breaker (A)	20 A
Volts (V)	208 – 240 V
Frequency (Hz)	60 Hz
Power cord length (in.)	48"
Plug type	Fixed connection, 8" stripped wires
Dimensions & Weight	
Overall appliance dimensions (HxWxD) (in.)	19 5/8" x 29 3/4" x 22 3/8"
Required cutout size (HxWxD) (in.)	Standard: 19 1/4" x 28 1/2" x 22" Flush: 20 1/8" x 30" x 23 1/2"
Oven overall interior dimensions (HxWxD) (in.)	9 7/8" x 16 1/2" x 16 1/2"
Turntable – metal max. cookware	12 3/4" dia.
Turntable – ceramic max. cookware	12 1/2" dia.
Rack – rectangular cookware max.	15" x 12"
Net weight (lbs)	92 lbs
Accessories – Included	
Included	Metal turntable, cooking rack, ceramic cooking tray

Benchmark® Speed Oven

Product Dimensions



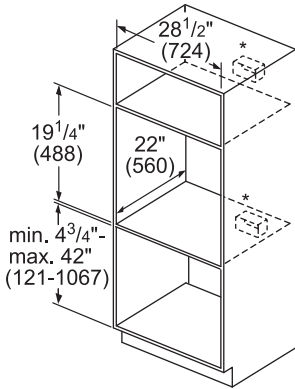
Under-Counter Installation



* Includes 3/4" (19) base plate

** Receptacle may be located to the left or right of the unit within reach of the power cord.

Wall Mounted Installation



* Receptacle may be located above or beneath the unit within reach of the power cord.

measurements in inches (mm)

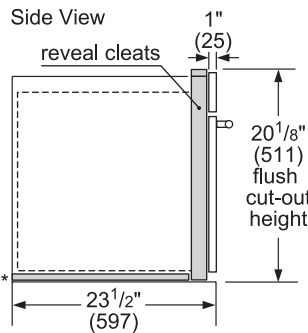
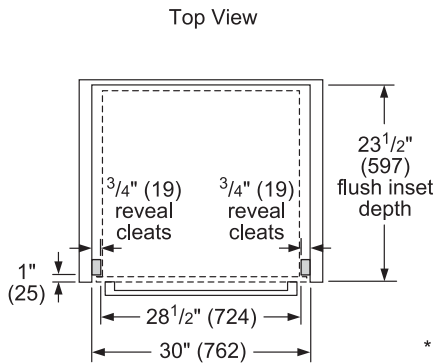
IMPORTANT: Bosch 30" Speed Oven is not approved to be installed under a cooktop.

Example Flush Install



Single wall oven shown.

Flush Installation



* Flush installation requires a 5/16" (8 mm) high x 28 1/2" (724 mm) wide x 22 1/2" (571 mm) deep baseplate underneath the unit body.

measurements in inches (mm)

500 Series 24" Speed Oven



24" 500 Series
HMC54151UC

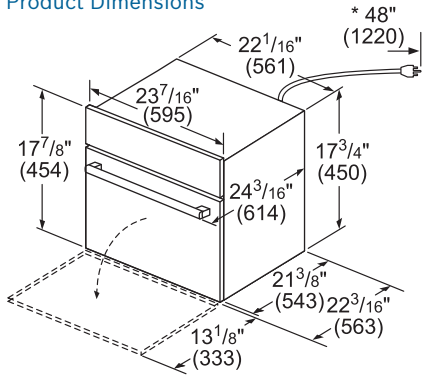
- 1.6 cu. ft.
- SpeedChef™ Cooking Modes Offer Faster Cooking Times
- Installs Flush with Kitchen Cabinetry
- 2-in-1 Microwave and Convection Oven for a Variety of Cooking Options
- 120v, NEMA 5-20 – 3 Prong Plug



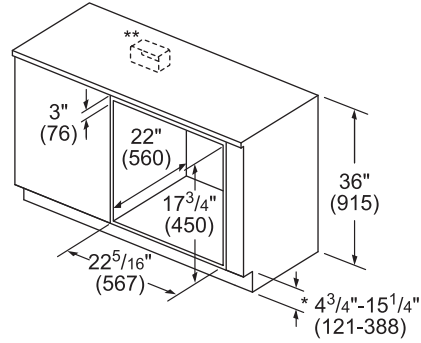
500 Series	
24" Stainless Steel – HMC54151UC	
General Properties	
Cavity material	Stainless steel
Max. microwave power (W)	1,000 W
Capacity	
Cavity capacity (cu. ft.)	1.6
Turntable diameter (in.)	14 ³ / ₁₆ "
Technical Details	
Watts (W)	1,920 W
Circuit breaker (A)	20 A
Volts (V)	120 V
Frequency (Hz)	60 Hz
Power cord length (in.)	48"
Plug type	NEMA 5-20 – 3 prong plug
Dimensions & Weight	
Overall appliance dimensions (HxWxD) (in.)	17 ⁷ / ₈ " x 23 ⁷ / ₁₆ " x 22 ¹ / ₁₆ "
Required cutout size (HxWxD) (in.)	Standard: 17 ³ / ₄ " x 22 ⁵ / ₁₆ " x 22" Flush: 18 ⁷ / ₁₆ " x 24" x 22 ³ / ₄ "
Oven overall interior dimensions (HxWxD) (in.)	9 ⁷ / ₈ " x 16 ¹ / ₂ " x 16 ¹ / ₂ "
Turntable – metal max. cookware	12 ³ / ₄ " dia.
Turntable – ceramic max. cookware	12 ¹ / ₂ " dia.
Rack – rectangular cookware max.	15" x 12"
Net weight (lbs)	83 lbs
Accessories – Included	
Included	Metal turntable, cooking rack, ceramic cooking tray

500 Series 24" Speed Oven

Product Dimensions



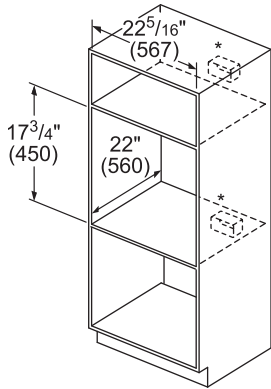
Under-Counter Installation



* Includes 3/4" (19) base plate

** Receptacle may be located to the left or right of the unit within reach of the power cord.

Wall Mounted Installation



* Receptacle may be located above or beneath the unit within reach of the power cord.

Notice:
The cabinet base must be flat and capable of supporting a weight of at least 142 lbs (64.1 kg).

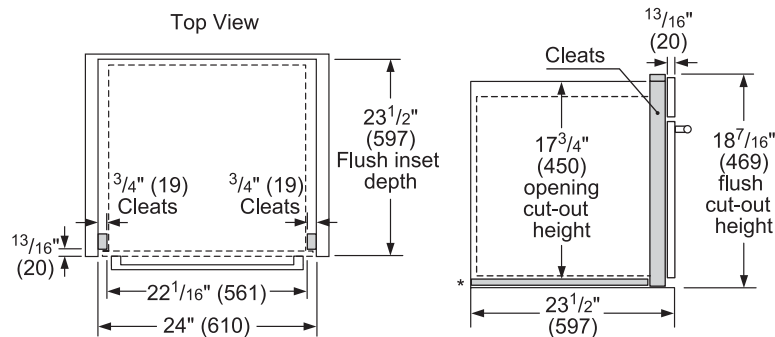
IMPORTANT: Bosch 24" Speed Oven is not approved to be installed under a cooktop.

Example Flush Install



Single wall oven shown.

Flush Installation



* Baseplate 5/16" (8)

800 Series Speed Ovens



800 Series
30" – HMC80152UC
27" – HMC87152UC

- 1.6 cu. ft.
- SpeedChef™ Cooking Modes Offer Faster Cooking Times
- Installs Flush with Kitchen Cabinetry
- 120v, NEMA 5-20 – 3 Prong Plug

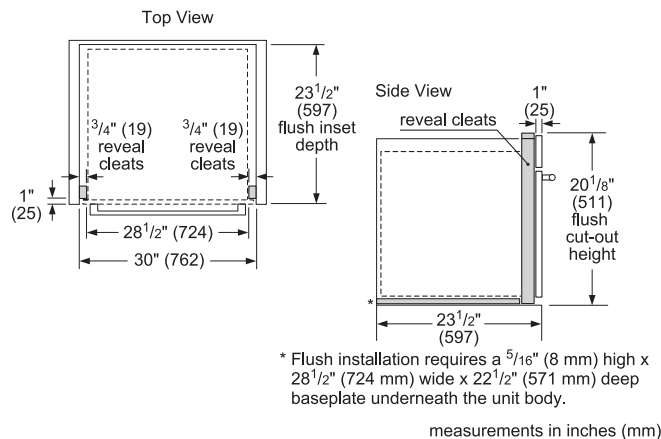


800 Series
30" – HMC80252UC

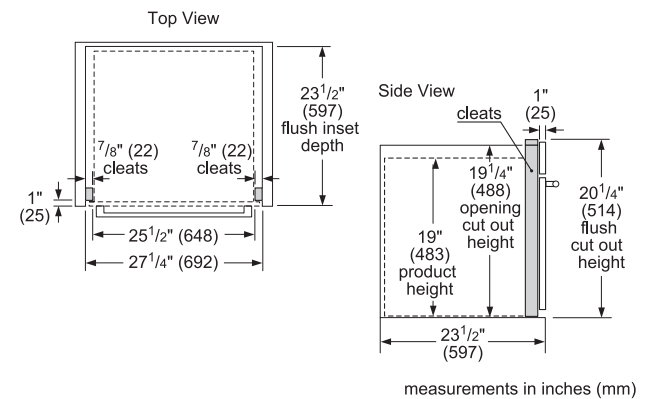
- 1.6 cu. ft.
- SpeedChef™ Cooking Modes Offer Faster Cooking Times
- Installs Flush with Kitchen Cabinetry
- 240v, Direct Wire

	800 Series	800 Series
	30" Stainless Steel – HMC80152UC 27" Stainless Steel – HMC87152UC	Stainless Steel – HMC80252UC
General Properties		
Cavity material	Stainless steel	Stainless steel
Max. microwave power (W)	1,000 W	1,000 W
Capacity		
Cavity capacity (cu. ft.)	1.6	1.6
Turntable diameter (in.)	14 1/8"	14 1/8"
Technical Details		
Watts (W)	1,920 W	3,840 W
Circuit breaker (A)	20 A	16 A
Volts (V)	120 V	208 – 240 V
Frequency (Hz)	60 Hz	60 Hz
Power cord length (in)	43"	48"
Plug type	NEMA 5-20 – 3 prong plug	Fixed connection, 8" stripped wires
Dimensions & Weight		
Overall appliance dimensions (HxWxD) (in)	30": 19 5/8" x 29 3/4" x 22 3/8" 27": 19 5/8" x 26 3/4" x 22 3/8"	19 5/8" x 29 3/4" x 22 3/8"
Required cutout size (HxWxD) (in)	30" Standard: 19 1/4" x 28 1/2" x 22" 30" Flush: 20 1/8" x 30" x 23 1/2" 27" Standard: 19 1/4" x 25 1/2" x 22" 27" Flush: 20 1/8" x 27" x 23 1/2"	Standard: 19 1/4" x 28 1/2" x 22" Flush: 20 1/8" x 30" x 23 1/2"
Overn overall interior dimensions (HxWxD) (in.)	9 7/8" x 16 1/2" x 16 1/2"	9 7/8" x 16 1/2" x 16 1/2"
Turntable – metal max. cookware	12 3/4" dia.	12 3/4" dia.
Turntable – ceramic max. cookware	12 1/2" dia.	12 1/2" dia.
Rack – rectangular cookware max.	15" x 12"	15" x 12"
Net weight (lbs)	92 lbs / 87 lbs	92 lbs
Accessories – Included		
Included	Metal turntable, cooking rack, ceramic cooking tray	Metal turntable, cooking rack, ceramic cooking tray

30" Flush Installation

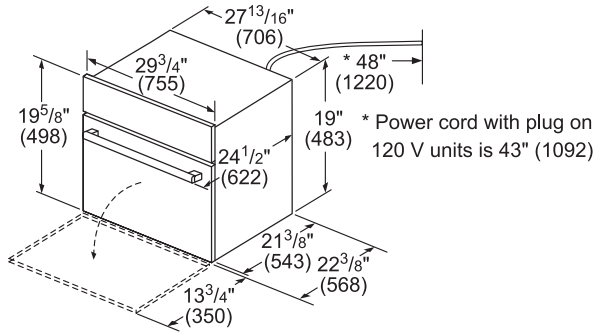


27" Flush Installation

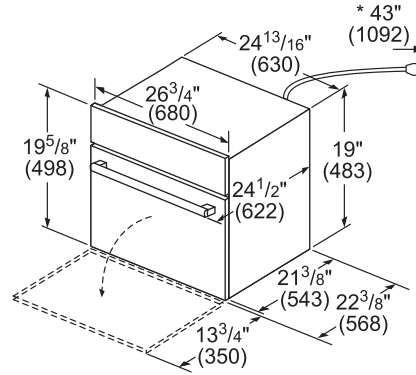


800 Series Speed Ovens

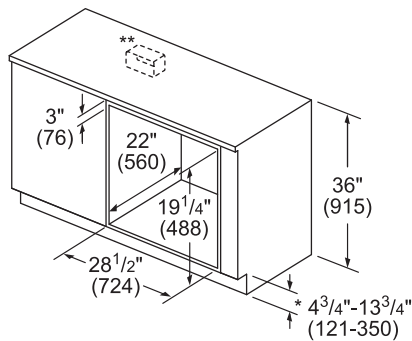
30" Speed Oven Dimensions



27" Speed Oven Dimensions



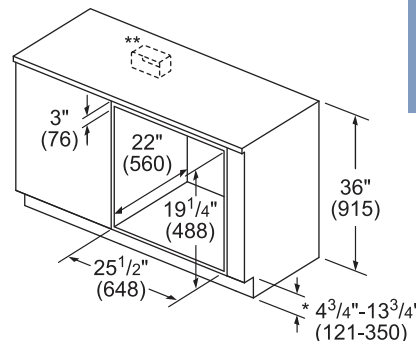
30" Speed Oven Under-Counter



* Includes 3/4" (19) base plate

** Receptacle may be located to the left or right of the unit within reach of the power cord.

27" Speed Oven Under-Counter

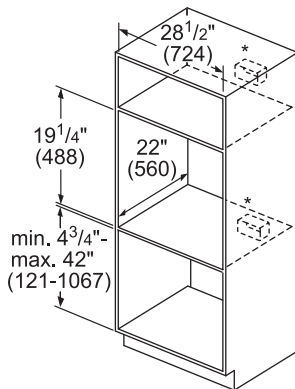


* Includes 3/4" (19) base plate

** Receptacle may be located to the left or right of the unit within reach of the power cable.

IMPORTANT: Bosch Speed Oven is not approved to be installed under a cooktop.

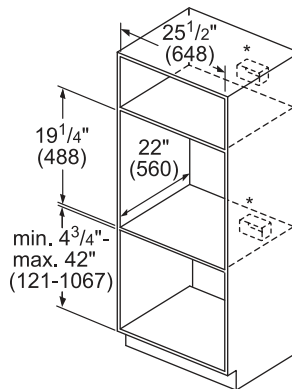
30" Speed Oven Wall-Mounted



* Receptacle may be located above or beneath the unit within reach of the power cord.

measurements in inches (mm)

27" Speed Oven Wall-Mounted



* Receptacle may be located above or beneath the unit within reach of the power cable.

measurements in inches (mm)

30" HMC80152UC
27" HMC87152UC



NOTE: Bosch Speed ovens can be installed in combination with other Bosch cooking products. See pages 76–77 for details. Horizontal installation of a 27" oven next to a 27" speed oven with warming drawer is possible, but the speed oven and warming drawer require either two cutouts or one cutout with a shelf support in between.

500 Series Storage and Warming Drawers



30" 500 Series Storage Drawer
HSD5051UC

- 2.4 cu. ft.
- The Storage Drawer Fits 30" Racks, the Meat Probe and Other Cooking Relevant Utensils
- A Silicone Mat Protects the Bottom of Drawer
- Installs Vertically Under Bosch Speed, Steam or Wall Oven



500 Series Warming Drawer
30" – HWD5051UC
27" – HWD5751UC

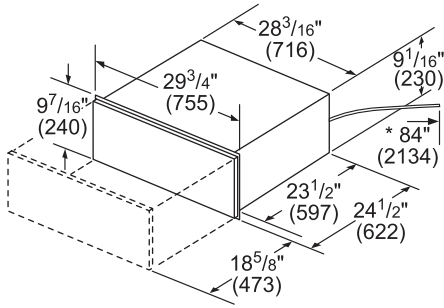
- 2.2 cu. ft. (27" is 1.9 cu. ft.)
- + Warming Drawer
- + 3 Settings, Timer
- 30" Installs Vertically Under Bosch Speed, Steam or Wall Oven
- 27" Installs Vertically Under Bosch 120V Speed, or Wall Oven (Separate Cut Outs Needed)

+ Indicates a step-up feature

	Storage Drawer	Warming Drawers
	30" Stainless Steel – HSD5051UC	30" Stainless Steel – HWD5051UC 27" Stainless Steel – HWD5751UC
General Properties		
Power levels	N/A	High, low, medium
Dough proofing mode	N/A	Yes
Temperature range	N/A	100° – 190° F
Timer 5 min. – 5 hours	N/A	Yes
Automatic shut off after 1 hour	N/A	Yes
Door opening	Push to open	Push to open
Hinges	Ball bearing hinges	Ball bearing hinges
Wattage heating element	N/A	450 W
Control type	N/A	Illuminated TouchControl
Capacity		
Cavity capacity (cu. ft.)	2.4 cu. ft.	30": 2.2 cu. ft. 27": 1.9 cu. ft.
Technical Details		
Watts (W)	N/A	450 W
Circuit breaker (A)	N/A	15 A
Volts (V)	N/A	120 V
Frequency (Hz)	N/A	60 Hz
Power cord length (in)	N/A	84"
Plug type	N/A	120V – 3 prong
Dimensions & Weight		
Overall appliance dimensions (HxWxD) (in)	9 7/16" x 29 3/4" x 23 1/2"	30": 9 7/16" x 29 3/4" x 23 1/2" 27": 9 7/16" x 26 3/4" x 23 1/2"
Required cutout size (HxWxD) (in)	9 1/4" x 28 1/2" x 23 1/2"	30": 9 1/4" x 28 1/2" x 23 1/2" 27": 9 1/4" x 25 1/2" x 23 1/2"
Net weight (lbs)	47 lbs	30": 55 lbs 27": 50 lbs
Accessories – Included		
Installation brackets	Install drawer below speed or steam oven in one cut out (identical to single wall oven cut out)	30" model: Install drawer below speed or steam oven in one cut out (identical to single wall oven cut out). Products still need to be hooked up individually.
Drawer mat	Rubber mat to protect bottom of drawer	N/A

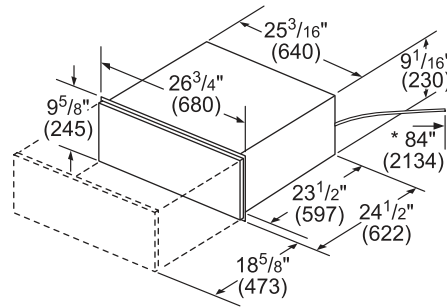
500 Series Storage and Warming Drawers

30" Storage / Warming Drawer Dimensions



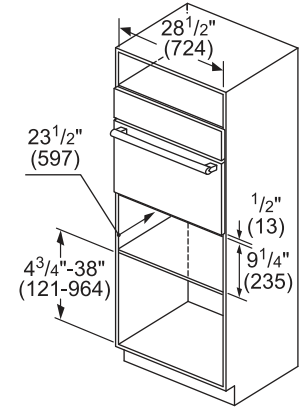
* Power cord on warming drawer is 84" (2134 mm)

27" Warming Drawer Dimensions



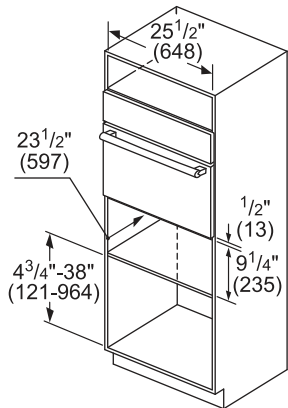
* Power cord on warming drawer is 84" (2134 mm)

30" Storage / Warming Drawer Wall-Mounted



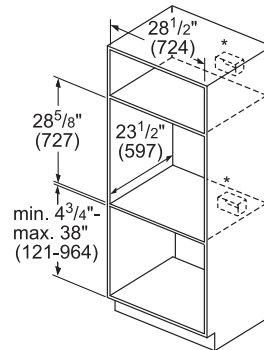
measurements in inches (mm)

27" Warming Drawer Wall-Mounted



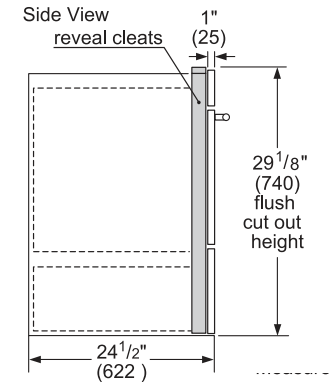
measurements in inches (mm)

30" Speed Oven Over Storage / Warming Drawer



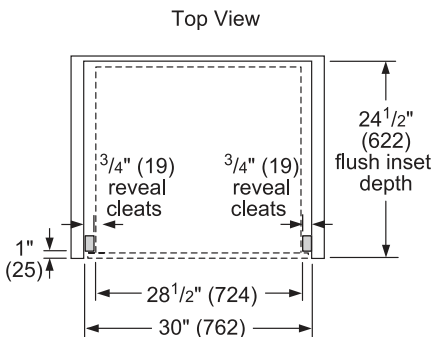
* For installation into a wall cabinet, the receptacle may be installed above, below, or to the left or right of the unit within range of the power cord.

Speed Oven Over Storage / Warming Drawer

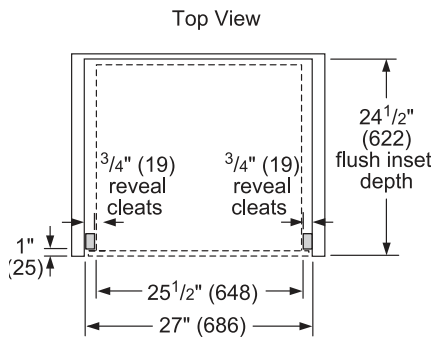


Measurements in inches (mm)

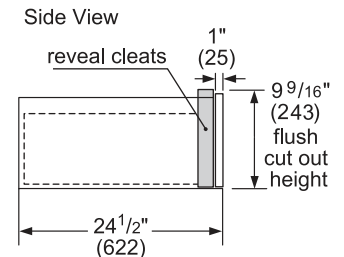
30" Flush Installation



27" Flush Installation



30" & 27" Flush Installation



NOTE: See pages 76–79 for planning and installation details when installing Bosch storage and warming drawers in combination with other Bosch products. Horizontal installation of a 27" oven next to a 27" speed oven with warming drawer is possible, but the speed oven and warming drawer require either two cutouts or one cutout with a shelf support in between.

Benchmark® Over-the-Range Microwave



30" Benchmark®
HMVP053U

- 1.8 cu. ft.
- Triple Distribution Offers More Even Cooking
- 1,450 Watts Convection Cooking
- 1,000 Watts Microwave Cooking
- Stainless Steel Cavity

30" Benchmark®

Stainless Steel – HMVP053U

General Properties

Cavity material	Stainless steel
Max. microwave power (W)	1,000 W
Max. extraction rate (CFM)	385 CFM
Ducted	Yes
Ductless	Yes
Duct size	3 1/4" x 10"

Capacity

Cavity capacity (cu. ft.)	1.8 cu. ft.
Turntable diameter (in.)	14 3/16"

Technical Details

Watts (W)	1,450 W
Circuit breaker (A)	15 A
Volts (V)	120 V
Frequency (Hz)	60 Hz
Power cord length (in.)	39"
Plug type	120V – 3 prong

Dimensions & Weight

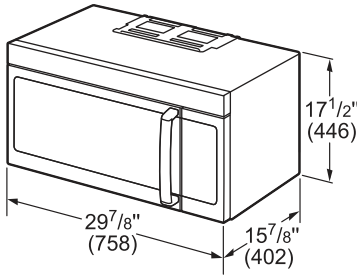
Overall appliance dimensions (HxWxD) (in)	17 1/2" x 29 7/8" x 15 7/8"
Required cutout size (HxWxD) (in)	16 1/2" min x 30" x 12" min – 14" max
Net weight (lbs)	54 lbs

Accessories – Included

Included	Two level cooking rack
----------	------------------------

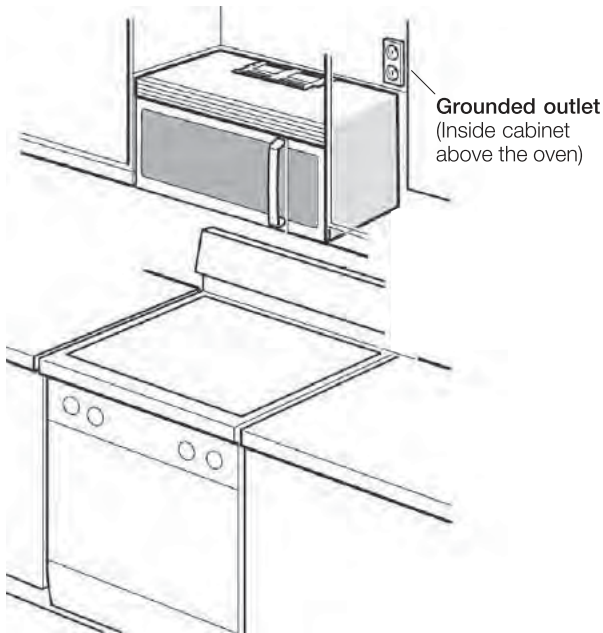
Benchmark® Over-the-Range Microwave

Product Dimensions

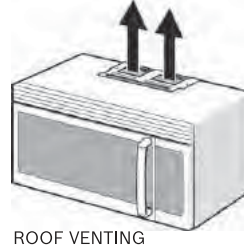


measurements in inches (mm)

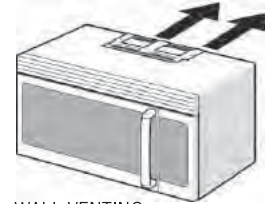
Electrical Connection



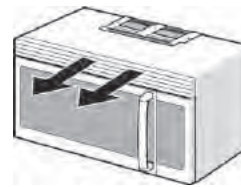
Venting Options



ROOF VENTING

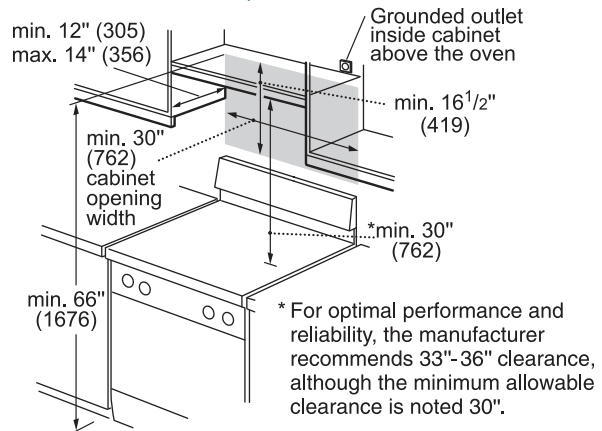


WALL VENTING



ROOM VENTING

Clearance Above Cooktop



measurements in inches (mm)

300 / 500 / 800 Series Over-the-Range Microwaves



300 Series
HMV3053U

- 1.6 cu. ft.
- 1,000 Watts Microwave Cooking
- Auto Cook Functions
- 300 CFM



500 Series
HMV5053U

- + 2.1 cu. ft.
- + 1,100 Watts Microwave Cooking
- + Sensor Cooking
- + 385 CFM



800 Series
HMV8053U

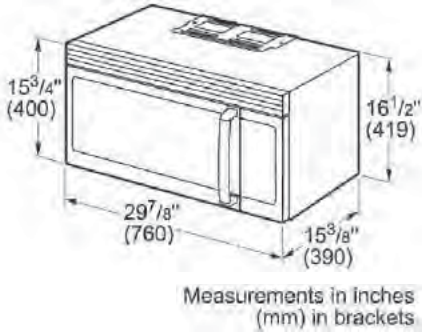
- 1.8 cu. ft.
- 1,000 Watts Microwave Cooking
- + 1,450 Watts Convection Cooking
- + Stainless Steel Cavity

+ Indicates a step-up feature

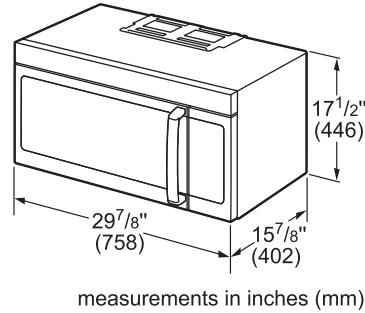
	30" – 300 Series	30" – 500 Series	30" – 800 Series
	Stainless Steel – HMV3053U	Stainless Steel – HMV5053U	Stainless Steel – HMV8053U
General Properties			
Cavity color	White	White	Stainless steel
Max. microwave power (W)	1,000 W	1,100 W	1,000 W
Max. extraction rate (CFM)	300 CFM	385 CFM	385 CFM
Ducted	Yes	Yes	Yes
Ductless	Yes	Yes	Yes
Duct size	3 1/4" x 10"	3 1/4" x 10"	3 1/4" x 10"
Capacity			
Cavity capacity (cu. ft.)	1.6 cu. ft.	2.1 cu. ft.	1.8 cu. ft.
Turntable diameter (in.)	13 5/8"	14 3/16"	14 3/16"
Technical Details			
Watts (W)	1,550 W	1,550 W	1,450 W
Circuit breaker (A)	15 A	15 A	15 A
Volts (V)	120 V	120 V	120 V
Frequency (Hz)	60 Hz	60 Hz	60 Hz
Power cord length (in)	39"	39"	39"
Plug type	120V – 3 prong	120V – 3 prong	120V – 3 prong
Dimensions & Weight			
Overall appliance dimensions (HxWxD) (in)	16 1/2" x 29 7/8" x 15 3/8"	17 1/2" x 29 7/8" x 15 7/8"	17 1/2" x 29 7/8" x 15 7/8"
Required cutout size (HxWxD) (in)	16 1/2" min x 30" x 12" min – 12 7/8" max	16 1/2" min x 30" x 12" min – 14" max	16 1/2" min x 30" x 12" min – 14" max
Net weight (lbs)	54 lbs	54 lbs	54 lbs
Accessories – Included			
Included	N/A	N/A	Two level cooking rack

300 / 500 / 800 Series Over-the-Range Microwaves

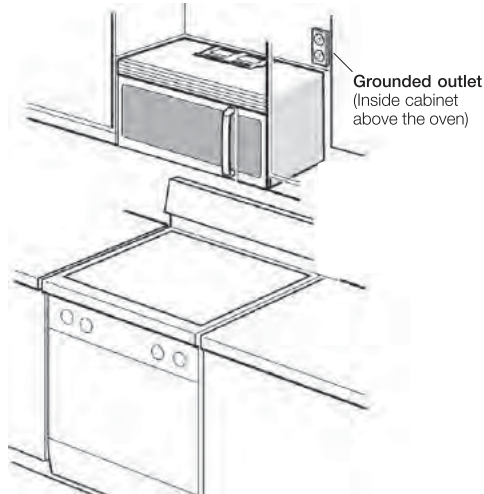
300 Series Product Dimensions



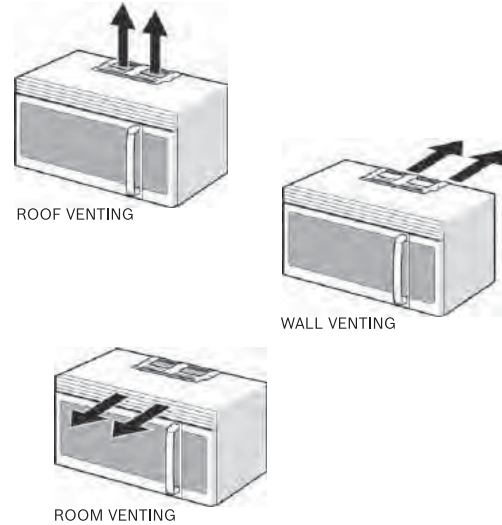
500 / 800 Series Product Dimensions



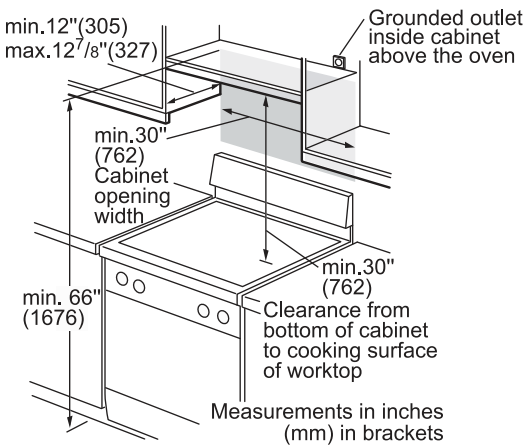
300 / 500 / 800 Series Electrical Connection



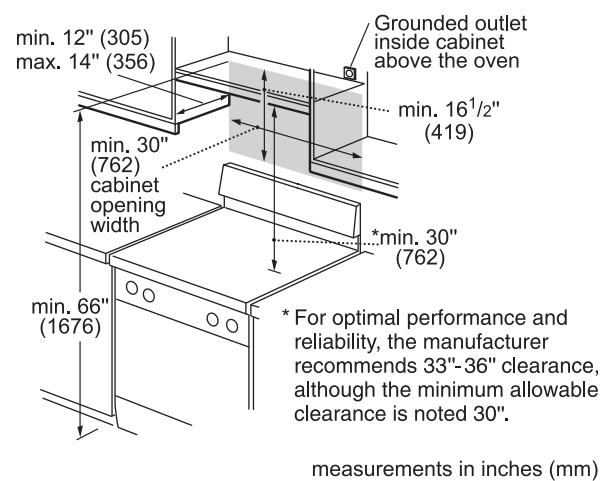
300 / 500 / 800 Series Venting Options



300 Series Clearance Above Cooktop



500 / 800 Series Clearance Above Cooktop



800 Series Drawer Microwaves



24" 800 Series
HMD8451UC

- 1.2 cu. ft.
- 950 Watts Microwave Cooking
- 10 Power Levels
- Flush Installation



30" 800 Series
HMD8053UC

- 1.2 cu. ft.
- 950 Watts Microwave Cooking
- 10 Power Levels
- Flush Installation

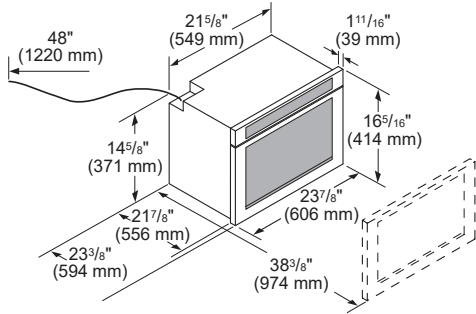
The Flush-Mount Drawer Microwave

Open your design options. The Bosch drawer microwave installs cleanly under counters, cooktops, and flush to cabinets, letting you take advantage of extra space in a kitchen island, for example. The drawer microwave opens and closes with a push of a button and is large enough to fit a 9" x 13" baking oven pan or a 4 qt. casserole dish.

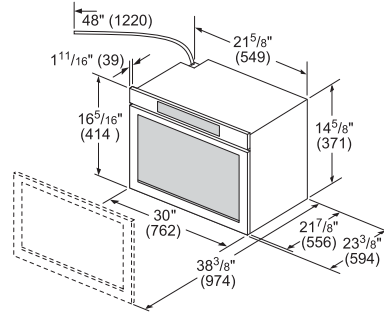
	24" – 800 Series	30" – 800 Series
	Stainless Steel – HMD8451UC	Stainless Steel – HMD8053UC
General Properties		
Cavity material	White	White
Max. microwave power (W)	950 W	950 W
Capacity		
Cavity capacity (cu. ft.)	1.2 cu. ft.	1.2 cu. ft.
Technical Details		
Watts (W)	1,500 W	1,500 W
Circuit breaker (A)	15 A	15 A
Volts (V)	120 V	120 V
Frequency (Hz)	60 Hz	60 Hz
Power cord length (in)	48"	48"
Plug type	120V – 3 prong	120V – 3 prong
Dimensions & Weight		
Overall appliance dimensions (HxWxD) (in)	16 5/16" x 23 7/8" x 23 3/8"	16 5/16" x 30" x 23 3/8"
Required cutout size (HxWxD) (in)	14 13/16" x 22 1/8" x 23 1/2"	14 13/16" x 28 1/4" x 23 1/2"
Net weight (lbs)	81 lbs	82 lbs

800 Series Drawer Microwaves

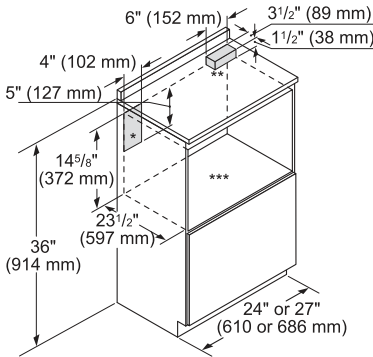
24" Drawer Microwave Dimensions



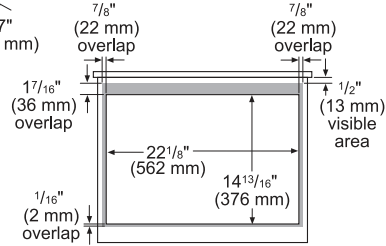
30" Drawer Microwave Dimensions



24" Drawer Microwave Standard Installation

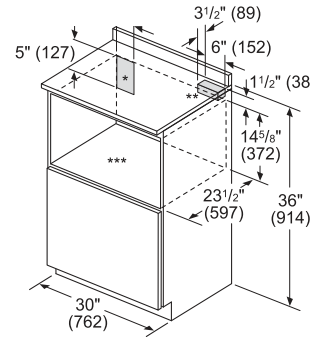


Front view of cut-out

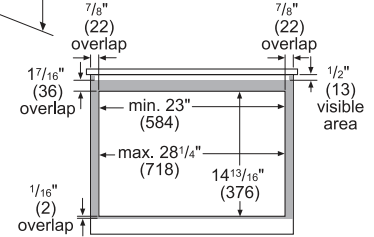


- * Recommended location of electrical outlet
- ** Anti-tip block
- *** Base should support up to 100 lbs

30" Drawer Microwave Standard Installation



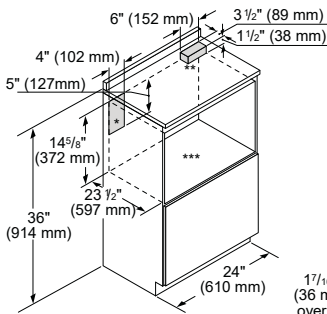
Frontview cut out



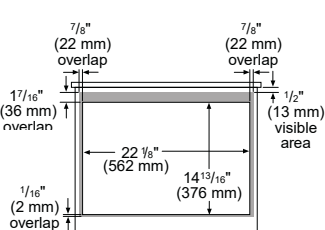
- * Suggested location of electrical outlet
- ** Anti-Tip Block
- *** Base should support up to 100 lbs

Measurements in inches (mm)

24" Drawer Microwave Flush Installation

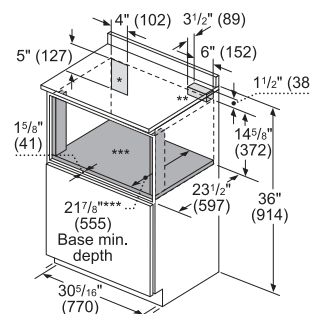


Frontview cut out

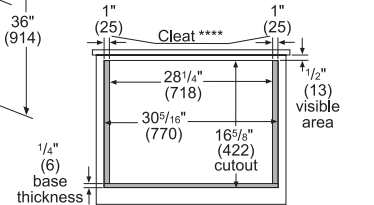


- * Suggested location of electrical outlet
- ** Anti-Tip Block
- *** Base should support up to 100 lbs

30" Drawer Microwave Flush Installation



Frontview cut out



- * Suggested location of electrical outlet
- ** Anti-Tip Block
- *** Base should support up to 100 lbs
- **** Sides should be finished and extend back to cleat. Cleats should also be finished, as they may be visible after installation.

Measurements in inches (mm)

500 Series Built-in Microwave



24" 500 Series
 HMB5051 (Stainless Steel)
 HMB5061 (Black)

- 2.1 cu. ft.
- 1,200 Watts Microwave Cooking
- Automatic Sensor Programs
- 27" and 30" Trim Kits Available



24" – 500 Series

Stainless Steel – HMB5051
 Black – HMB5061

General Properties

Cavity color	White
Max. microwave power (W)	1,200 W

Capacity

Cavity capacity (cu. ft.)	2.1 cu. ft.
Turntable diameter (in.)	16 1/2"

Technical Details

Watts (W)	1,460 W
Circuit breaker (A)	20 A
Volts (V)	120 V
Frequency (Hz)	60 Hz
Power cord length (in)	41 5/16"
Plug type	120V – 3 prong

Dimensions & Weight

Overall appliance dimensions (HxWxD) (in)	14" x 23 7/8" x 19 7/16"
Required cutout size (HxWxD) (in)	Stainless Steel: 19 7/8" x 25 7/16" – 28 7/16" x 21" Black: 19 7/8" x 28 7/16" x 21"
Net weight (lbs)	34 lbs

Accessories – Included

Included	Glass turntable
----------	-----------------

Optional Accessories



HMT5751
 27" Stainless Steel Trim Kit



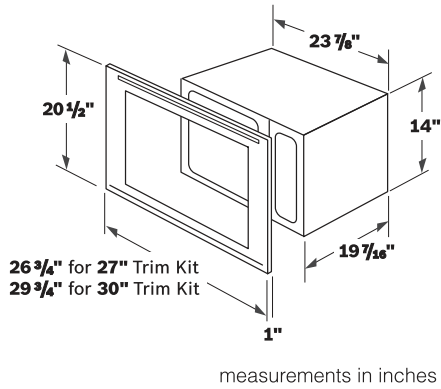
HMT5051
 30" Stainless Steel Trim Kit



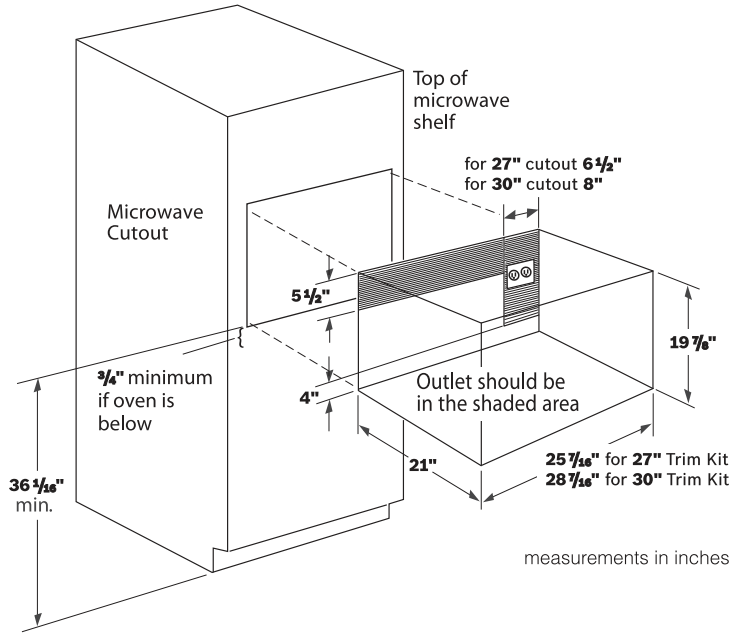
HMT5061
 30" Black Trim Kit

500 Series Built-in Microwave

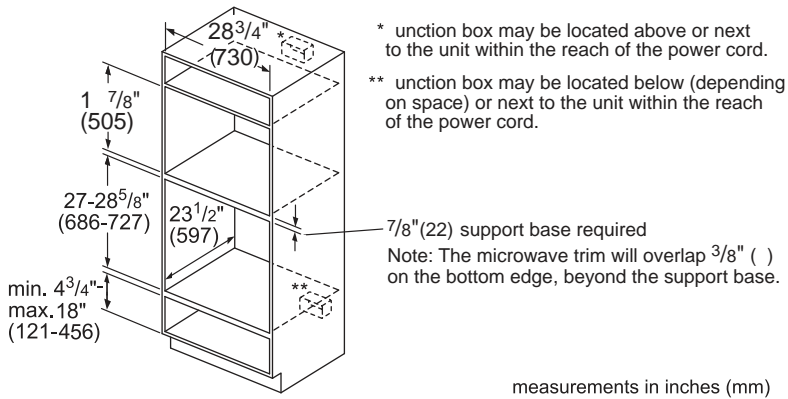
Built-in Microwave Dimensions



Built-in Microwave Installation



Built-in Microwave Installation with 30" Trim Kit Over Single Oven



500 Series Built-in Microwaves



27" 500 Series
HMB57152UC

- 1.6 cu. ft.
- 950 Watts Microwave Cooking
- Automatic Sensor Programs
- Designed to Match Bosch Wall Ovens



30" 500 Series
HMB50152UC (Stainless Steel)
HMB50162UC (Black)

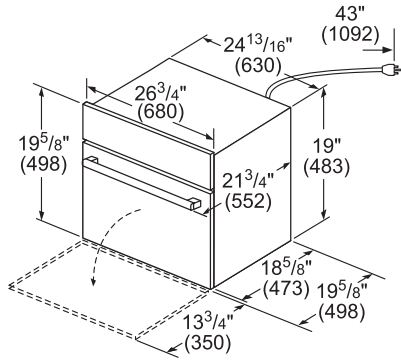
- 1.6 cu. ft.
- 950 Watts Microwave Cooking
- Automatic Sensor Programs
- Designed to Match Bosch Wall Ovens



	27" – 500 Series	30" – 500 Series
	Stainless Steel – HMB57152UC	Stainless Steel – HMB50152UC Black – HMB50162UC
General Properties		
Cavity color	Stainless steel	Stainless steel / black
Max. microwave power (W)	950 W	950 W
Capacity		
Cavity capacity (cu. ft.)	1.6 cu. ft.	1.6 cu. ft.
Turntable diameter (in.)	14 1/8"	14 1/8"
Technical Details		
Watts (W)	1,650 W	1,650 W
Circuit breaker (A)	15 A	15 A
Volts (V)	120 V	120 V
Frequency (Hz)	60 Hz	60 Hz
Power cord length (in)	43"	43"
Plug type	NEMA 5-15 – 3 prong	NEMA 5-15 – 3 prong
Dimensions & Weight		
Overall appliance dimensions (HxWxD) (in)	19 5/8" x 26 3/4" x 19 5/8"	19 5/8" x 29 3/4" x 19 5/8"
Required cutout size (HxWxD) (in)	Standard: 19 1/4" x 25 1/2" x 19 1/4" Flush: 20 1/4" x 27" x 20 3/4"	Standard: 19 1/4" x 28 1/2" x 19 1/4" Flush: 20 1/4" x 30" x 20 3/4"
Oven overall interior dimensions (HxWxD) (in.)	9 7/8" x 16 1/2" x 16 1/2"	9 7/8" x 16 1/2" x 16 1/2"
Net weight (lbs)	72 lbs	75 lbs
Accessories – Included		
Included	Glass turntable	Glass turntable

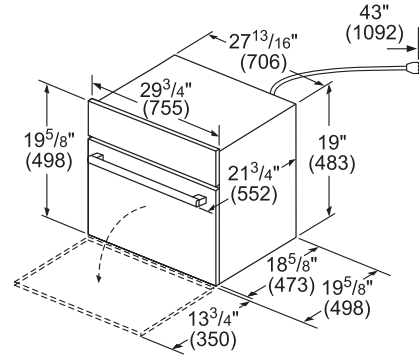
500 Series Built-in Microwaves

27" Microwave Dimensions



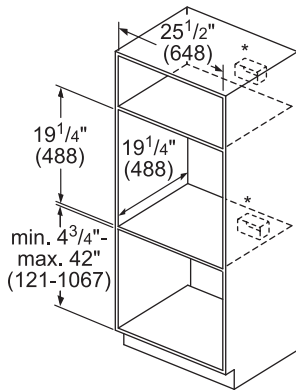
measurements in inches (mm)

30" Microwave Dimensions



measurements in inches (mm)

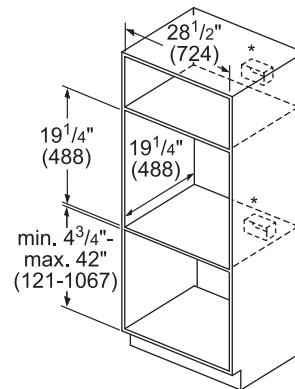
27" Microwave Standard Installation



* Receptacle may be located above or beneath the unit within reach of the power cable.

measurements in inches (mm)

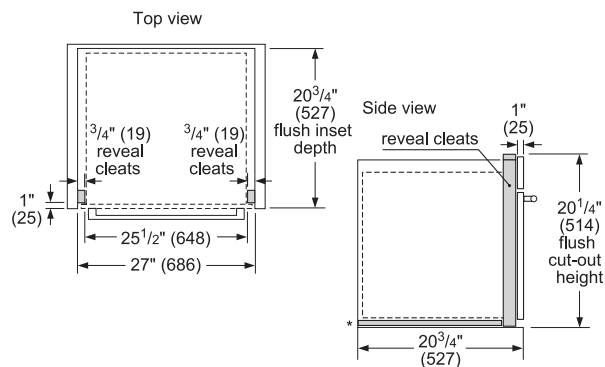
30" Microwave Standard Installation



* Receptacle may be located above or beneath the unit within reach of the power cable.

measurements in inches (mm)

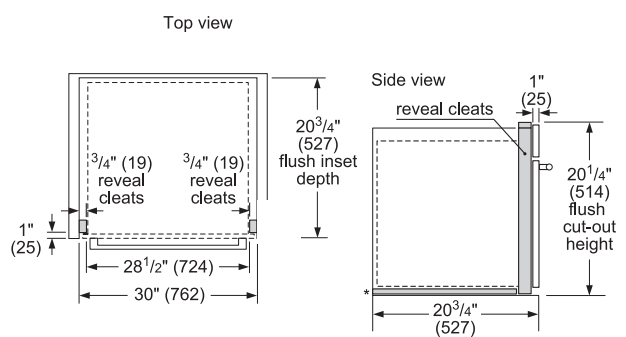
27" Microwave Flush Installation



* Flush installation requires a $\frac{5}{16}$ " (8 mm) high x 25 $\frac{1}{2}$ " (648 mm) wide x 19 $\frac{3}{4}$ " (500 mm) deep base plate underneath the unit body.

measurements in inches

30" Microwave Flush Installation



* Flush installation requires a $\frac{5}{16}$ " (8 mm) high x 28 $\frac{1}{2}$ " (724 mm) wide x 19 $\frac{3}{4}$ " (500 mm) deep base plate underneath the unit body.

measurements in inches



 **BOSCH**

Built-in Coffee Machine

Bosch has brewed up smart ideas to let you craft the perfect cup quickly and easily. Our built-in coffee machine is stylishly designed with innovative technologies to prepare coffee precisely when and how you like it. Whether you wish to wake up to a macchiato, relax with a cappuccino, serve up a strong espresso or froth the perfect latte, Bosch makes it easier to brew it like a barista. And with our intuitive Home Connect™ app, you can control it all from your smartphone or tablet.



Built-in Coffee Machine



Built-in Coffee Machine with Home Connect™
BCM8450UC

- Prepare Espressos, Cappuccinos, Lattes, Macchiatos & More in Minutes
- Brew Coffee from Anywhere in Your Home with the Home Connect™ App
- Consistent Brewing Temperature for a Better Tasting Coffee
- Prepare Your Favorite Cup of Coffee with the Simple Touch of a Button
- MyFavorites Stores up to 8 of Your Favorite Coffee Preferences



Built-in Coffee Machine with Home Connect™

Stainless Steel – BCM8450UC

General Properties

Modes	Caffé Latte, Cappuccino, Coffee, Espresso, Espresso Macchiato, Latte Machiato, Ristreto, Hot Water, Warm Milk, Steam Clean, Clean, Descaling
Settings	One or two cups, adjustable cup sizes, brewing temperature, coffee strength, grind adjustment
Programming	Home Connect™, personalized beverages, remote settings, language, light and display brightness, water hardness, temperature, time, key sounds, demo, child-proof lock
Home Connect™ features	Remote start, additional beverage options, adjustable settings, remote warnings, reminders, coffee world, play list, coffee recipes, remote diagnosis, tips and trick videos, user and care manual, shop online
Sensor alerts	Water level, bean container, drip tray, coffee grounds

Design Elements

Display	Large color touch screen
Selection dial	Stainless steel ring
Display and light brightness	Adjustable
Flush installation	Yes
Container access	Front door

Capacity

Water container	5/8 gallon
Bean container	1 lb
Stainless steel milk container	17 oz
Powder coffee	1 Scoop

Technical Details

Watts (W)	1,600 W
Circuit breaker (A)	15 A
Current (A)	10 A
Volts (V)	120 V
Frequency (Hz)	60 Hz
Power cord length (in)	39"
Plug type	120 V – 3 prong
Energy source	Electric
Pump pressure (bar)	275 psi (19 bar)
Grinding system	Ceramic disks
Cleaning system	Automatic
Milk clean system	Steam

Dimensions & Weight

Overall appliance dimensions (HxWxD) (in)	23 3/8" W x 17 7/8" H x 14" D
Net weight (lbs)	43 lbs (without transformer)
Transformer weight (lbs)	27.5 lbs

Accessories – Included

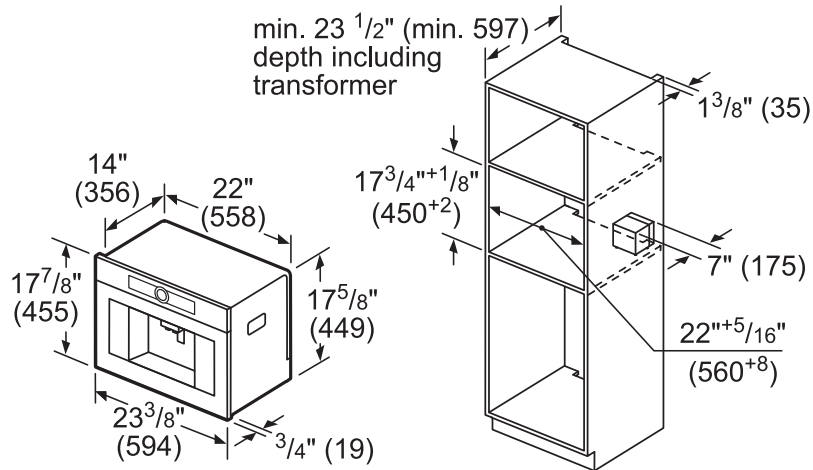
Stainless steel milk container, powder coffee scoop, 1 water hardness test strip

Optional Accessories

HEZCMT3050 30" Stainless Steel Trim Kit	11005967 Stainless Steel Milk Container	11015223 Bean Container	12008246 Water Filter	00311823 Descaling Tablets	00311820 Cleaning Tablets
---	---	----------------------------	--------------------------	-------------------------------	------------------------------

Built-in Coffee Machine

Product Dimensions and Installation



Bean and water reservoir are removed to the front. Recommended installation height 37 1/2"-57" (95-145 cm).

measurements in inches (mm)

Design Tip

The Bosch Built-in Coffee Machine and 30" Trim Kit pair perfectly with a Bosch Warming or Storage Drawer.

30" Warming Drawer – HWD5051UC
30" Storage Drawer – HSD5051UC

